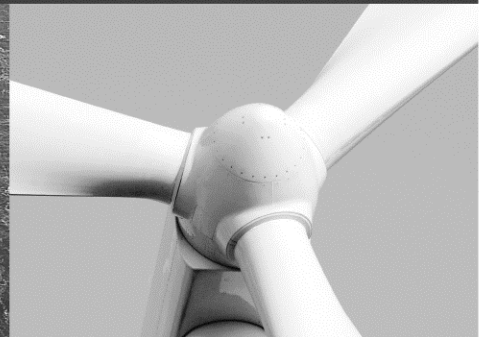
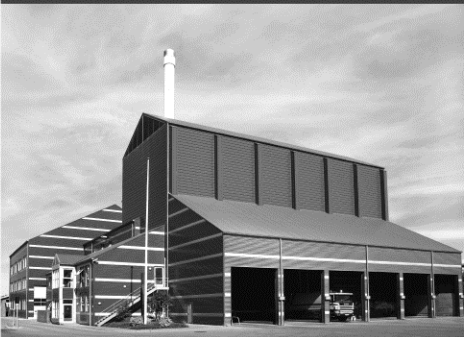




-power in control



DATA SHEET



Combined ammeters, Type BEQ

- Maximum and instantaneous readings
- DIN standard sizes: Q72 and Q96
- Exchangeable scale
- 8 min. or 15 min.
- For -/1 A or -/5 A current transformer



DEIF A/S · Frisenborgvej 33 · DK-7800 Skive
Tel.: +45 9614 9614 · Fax: +45 9614 9615
info@deif.com · www.deif.com

Document no.: 4921210018E

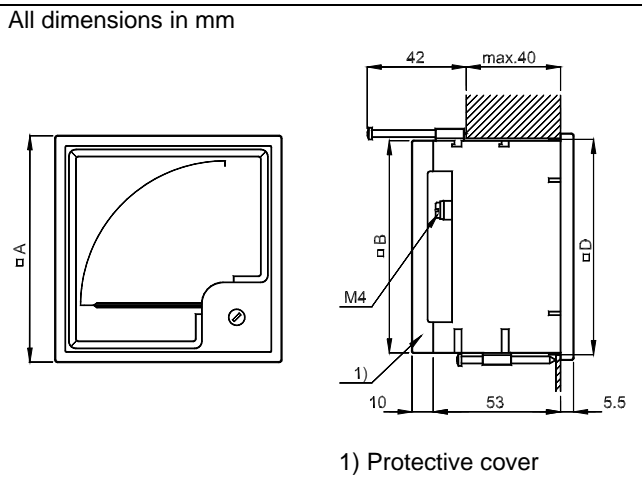
Application and construction

The instrument type BEQ is specifically suited for indication of thermal loads in conjunction with cables, transformers, etc. The instrument is equipped with a bimetallic system and a moving iron system, used for maximum reading and instantaneous reading respectively. Due to the thermal characteristic of the bimetallic system this is not affected by brief current fluctuations. The bimetallic system is provided with a red maximum-reading pointer. This pointer can be reset by means of a knob on the front of the instrument.

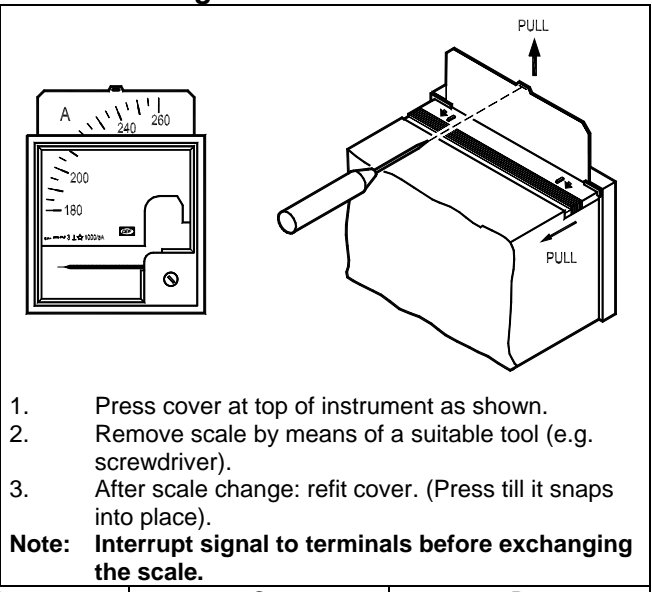
Technical specifications

- Accuracy: Bimetallic system: class 3.0, moving iron system: class 1.5. (-10...15...30...55°C) to EN 60051 and IEC 51
- Scale: Exchangeable scale, with separate divisions for the moving iron and bimetallic systems. For both systems the scale range corresponds to 0...120% of the rated primary current of the current transformer
End values: 6-12-18-24-30-36-48-60-72-90-96 and multiples of 10 thereof
- Setting time: Bimetallic system: 8 or 15 min.
- Measuring range: 0..120% of I_N
 I_N : 1 A AC or 5 A AC, 16..65 Hz, for connection to C.T., -/1 A or -/5 A
- Overload: Ammeters are designed according to EN60051-2 (Item 6.4.1 and 6.4.2)
Continuous overload: $I_N \times 1.2$
Short duration overload: $I_N \times 5$ for 5 sec. $I_N \times 10$ for 0.5 sec.
Valid for -/1 A, -/5 A and direct connections. (both for moving iron and bimetallic)
- Consumption: BEQ72-x: 1 A: approx. 1.5 VA, 5 A: approx. 2.5 VA
BEQ96-x: 1 A: approx. 1.8 VA, 5 A: approx. 2.8 VA
- Ambient temperature: -10...55°C (nominal), -25...60°C (operating), -25...65°C (storage)
- EMC: To EN 50081-1/2 and EN 50082-1/2
CE-marked for residential, commercial and light industry plus industrial environment
- Materials: Self-extinguishing plastic, to UL94 (V0)
- Protection: IP52, to IEC 529 and EN 60529

Dimensional details



Scale exchange



| BEQ Type | A | B | C | D |
|----------|---------|-------------|--------------|------------------|
| BEQ72-x | 72 x 72 | 66.5 x 66.5 | 68 x 68 +0.7 | Approx. 0.150 kg |
| BEQ96-x | 96 x 96 | 90 x 90 | 92 x 92 +0.8 | Approx. 0.230 kg |

Available variants

| Item no. | Variant no. | Variant description |
|------------|-------------|---|
| 2961260720 | 01 | BEQ72-x For CT /1 A or /5 A, 8 or 15 min. with standard scale |
| 2961260920 | 01 | BEQ96-x For CT /1 A or /5 A, 8 or 15 min. with standard scale |

Order specifications

Variants:

| Mandatory information | | | | | | Additional options to the standard variant |
|-----------------------|------|-------------|--------------|-------|--------------------------|--|
| Item no. | Type | Variant no. | Setting time | Scale | Current transformer (CT) | Option |
| | | | | | | |

Example:

| Mandatory information | | | | | | Additional options to the standard variant |
|-----------------------|---------|-------------|--------------|-----------|--------------------------|--|
| Item no. | Type | Variant no. | Setting time | Scale | Current transformer (CT) | Option |
| 2961260720-01 | BEQ72-x | 01 | 8 min. | 0...600 A | 500/1 A | Red line at 480 A |

Due to our continuous development we reserve the right to supply equipment which may vary from the described.



DEIF A/S, Frisenborgvej 33
DK-7800 Skive, Denmark

Tel.: +45 9614 9614, Fax: +45 9614 9615
E-mail: deif@deif.com, URL: www.deif.com

