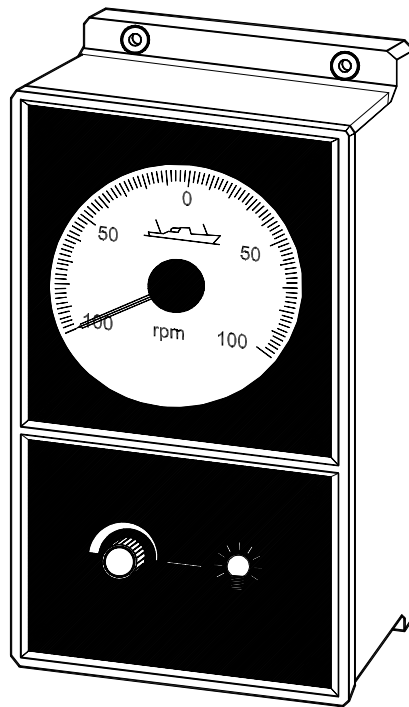


Bridge wing indicators

Type BRW-1

4921250008F



- *IP66, waterproof construction*
- *Large, easily-read scale*
- *Black scale version with separate pointer illumination*
- *Built-in dimmer potentiometer*
- *LED illumination (long life)*
- *Approved according to the European Marine Directive*

Waterproof bridge wing indicator type BRW-1

The BRW-1 consists of a 240° moving coil system in a waterproof housing, equipped with a large, easily-read scale and built-in dimmer. The instrument is available for base mounting. The BRW-1 is CE classified and MED approved for marine, residential, commercial and light industry plus industrial environment.

Technical specifications

Standard measuring ranges • Voltage			Standard measuring ranges • Current		
Lowest range	Highest range	Load	Lowest range	Highest range	Load
0...1V DC	0...100V DC	0.5k Ω /V	0...1mA DC	0...100mA DC	0.6V
-1...0...1V DC	-100...0...100V DC	1k Ω /V	-1...0...1mA DC	-100...0...100mA DC	0.3V

Additional measuring range: 4...20mA

Accuracy: Class 1.5 (-10...15...30...55°C) to EN 60051 and IEC 51

Scale types:

- 1) White scale base: Figures, division lines and standard pointer: Black
Indirect illumination
- 2) Black scale base: Figures, division lines and triangular pointer: Yellow
Separate pointer illumination

Standard scales: (Others on request)	0...250 rpm	-100...0...100 rpm	-120...0...120 rpm	-150...0...150 rpm
		-200...0...200 rpm	-250...0...250 rpm	-300...0...300 rpm

Illumination: LED illumination with built-in dimmer (external dimmer on request)

Aux. voltage (illumination): 24V AC \pm 20%, 24V DC \pm 25% (consumption: Approx. 200mA) or:
With built-in transformer: 110/220V AC \pm 20% (consumption: Approx. 5VA)

Connection: Built-in screw terminals
Conductor dimensions: Multi-stranded: 2.5 mm², single-stranded: 4 mm²
Cable entry via 2 PG 21 glands. Cable diameter: 10/13/16/19 mm

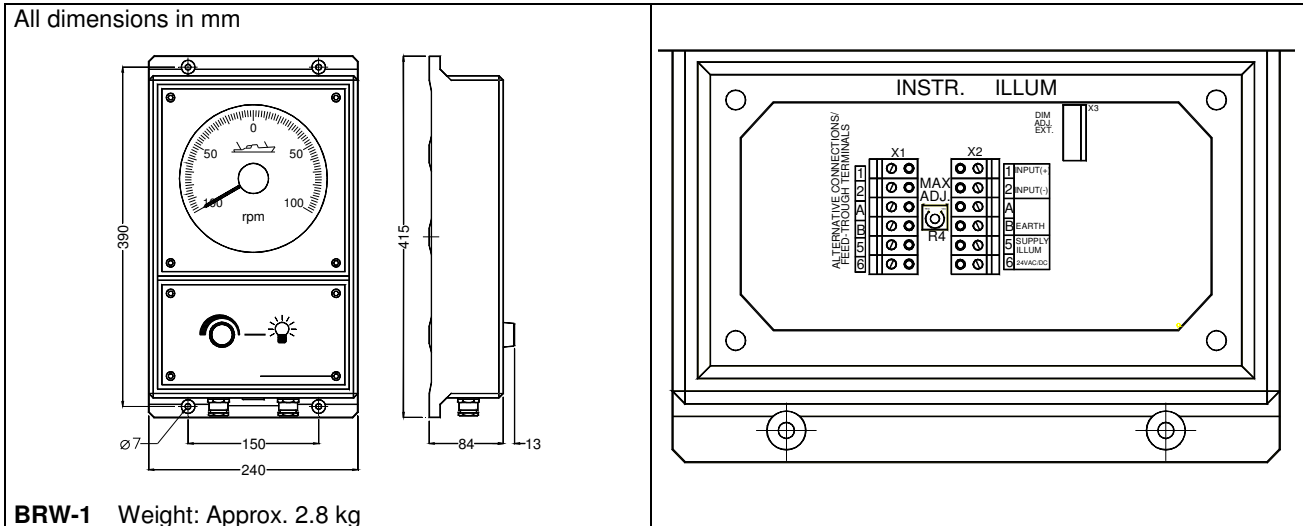
Safety: 300/600V – CAT. III. Pollution deg. 2. EN 61010-1

Temperature: -10...55°C (nominal), -25...60°C (operating), -25...65°C (storage)

Materials: Plastic housing: Matt grey VALOX
Fire retarding and self-extinguishing to UL94 (VO)
All metal parts made out of corrosion-resistant materials

Protection: IP66 to IEC 529 and EN 60529

Dimensions



Order specifications

	Type	Scale	Scale type	Measuring range
Example:	BRW-1	0...250 rpm	Black	-1...0...1mA

Due to our continuous development we reserve the right to supply equipment which may vary from the described.



DEIF A/S, Frisenborgvej 33
DK-7800 Skive, Denmark

Tel.: +45 9614 9614, Fax: +45 9614 9615
E-mail: deif@deif.com, URL: www.deif.com

