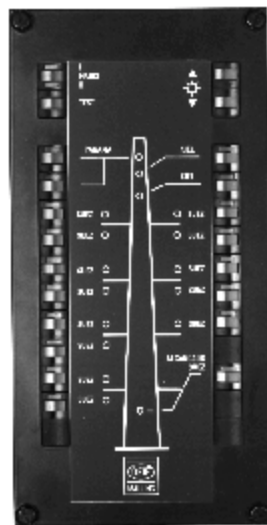


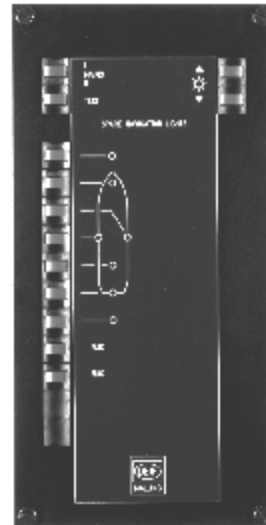
# Lantern control panels

Type 827

4921250023C



**827.72/18 Signal lights**



**827.74/09 Navigation lights**

- **Compact control panel with push-buttons, pilot lamps (LEDs) and acoustic alarm**
- **Control of up to 22 navigation or signal lights**
- **Automatic change-over to alternative voltage supply**

## Available types

Type	827.72..	827.721..	827.74..
Voltage	220V AC	115V AC	24V DC

## Application

The lantern control panels types 827 are intended for control and supervision of ships' lanterns. The lanterns (navigation and signal lights) are switched on and off either collectively or individually from the control panel in question.

The supervision includes the 2 fuses of each lantern, the connections to the individual lanterns plus the filaments in the lantern lamp bulb. Furthermore, presence of the supply voltage for the lanterns is also supervised. The lantern control panels are CE marked for residential, commercial and light industry plus industrial environment.

The lantern control panels types 827 are designed according to the international rules of SOLAS (Safety of Life at Sea) and their requirements to control, supervision and supply of navigation lights (position lanterns) from independent panels.

The same panels may also because of their compact construction to advantage be used for signal lights (Suez, Japanese Ocean, Panama, etc.).

## Supply sources

Normally 2 alternative supply sources are required for control panels for navigation lights: usually the ship's control board and its emergency control board, or possibly a battery.

Should the normal 220V AC supply (I) fail, the lantern control panels automatically switch (no manual action needed) to the connected alternative 220V AC supply (II).

External alarm equipment, as e.g. the bridge alarm system may be activated via the relay contact for FAULT and POWER FAILURE.

## Fault conditions

The condition of the lanterns is indicated by control lamps, i.e. coloured LED's (light emitting diodes).

Fault	Indication	Action
Filament lamp breaks or fuse blows	LED for defective lantern circuit flashes (full light intensity)	FAULT relay is activated. Acoustic alarm is released (buzzer sounds).
Lantern wire breaks (i.e. no light in lanterns which should be switched on)	LED for defective lantern circuit flashes (full light intensity)	FAULT relay is activated. Acoustic alarm is released (buzzer sounds).
Power supply failure (Only one of the power supplies fails)	LED marked "POWER I" is switched off and LED marked "POWER II" is switched on.	The alternative power supply takes over the supply of the lanterns. The POWER FAULT relay is activated as a warning that at least one of the two power supplies I or II has failed.
Power supply failure (Both power supplies fail)	All LED's are switched off - including LED's marked "POWER I" and "POWER II"	A built-in battery ensures activation of the FAULT relay. Acoustic and external alarms are released (buzzer sounds).

## Construction

The lantern control panel consists of:

- A compact control panel for flush mounting in desk or panel front.
- Multiple cables with plugs.
- 1 or 2 relay boxes for base mounting inside the panel.
- A power supply for base mounting inside the panel.
- An external flasher relay for lanterns (optional).

This construction reduces the panel front space required to a minimum and enables direct connection of the lantern cables to the terminals of the relay box(es).

**Additional functions**

- Fast flasher relay, complying with Japanese regulations for vessels carrying dangerous cargo (red flashing lantern) and vessels of a length >200 metres (green flashing lantern).
- Electrical connection of more lanterns, e.g. double NUC (“Not Under Command”) lights.
- Manual mains change-over switch (GL).

**Dimmer**

The light intensity of the LED's of the control panel may be adjusted (8 steps) by pressing the 2 push-button at the top right corner:

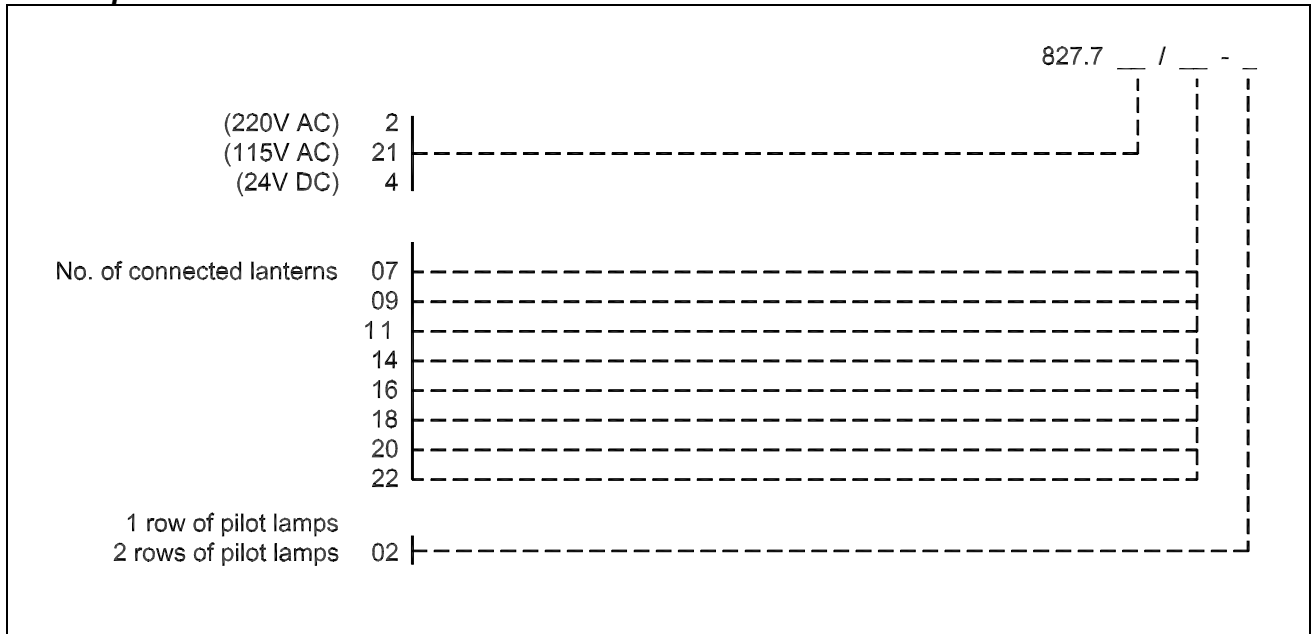
- ▲ Upper push-button: Increases the light intensity.
- ▼ Lower push-button: Decreases the light intensity.

This adjustment only affects the steady light of the LED's. The LED's flash with full light intensity to ensure clear indication of any defective lantern circuits.

**Technical specifications**

Lantern voltage	220V AC or 24V DC.
Lantern power	45...220W (220V AC), 25...115W (115V AC) or 25...85W (24V DC).
Voltage drop	<3%.
EMC	To EN 50081-1/2 and EN 50082-1/2
Materials	Control panel, relay box(es) and power supply are made out of corrosion protected iron sheet. Relay box(es) and power supply: yellow chromate coating. Control panel front: mat black finish. With engraved mimic diagramme according to application.
Protection	IP22 to IEC 529 and EN 60529

**Order specifications**

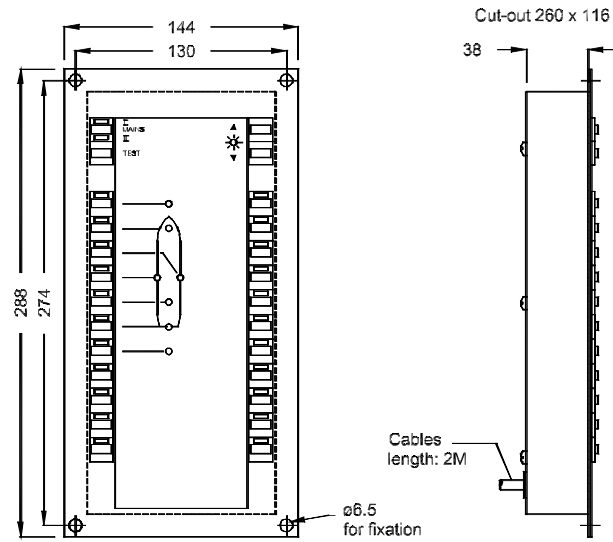


**Order specifications: spare parts**

Set of spare parts for	Types 827.72..	Types 827.74..
For 2 to 11 lanterns	Order type 827.72S11	Order type 827.74S11
For 12 to 22 lanterns	Order type 827.72S22	Order type 827.74S22

## Dimensions

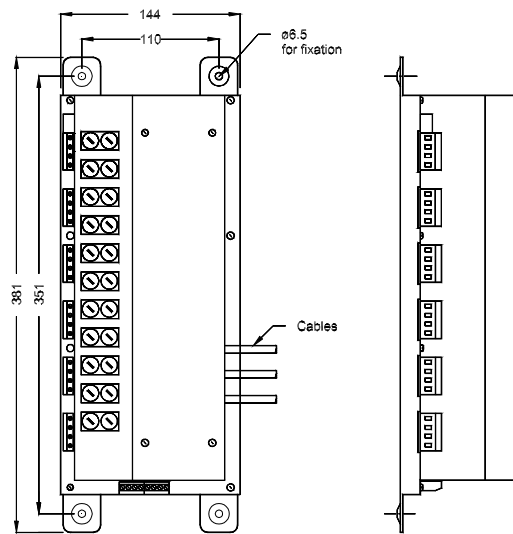
All dimensions in mm



### 827 Control panel

Weight: approx. 1.7 kg

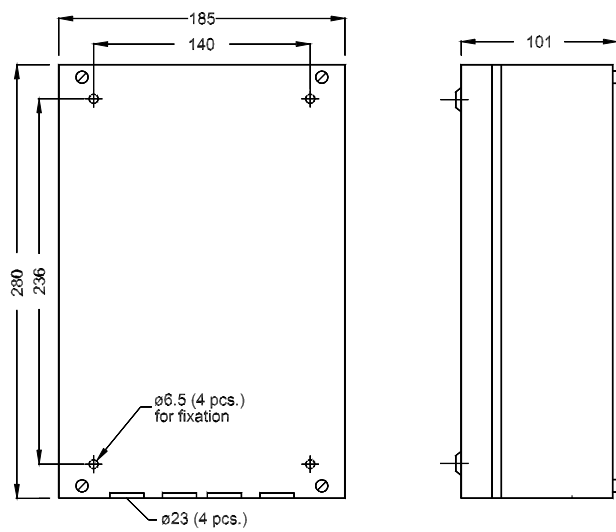
All dimensions in mm



### 827 Relay box

Weight: approx. 3.6 kg

All dimensions in mm



### 827 Power supply

Weight: approx. 4.7 kg

Due to our continuous development we reserve the right to supply equipment which may vary from the described.



DEIF A/S, Frisenborgvej 33  
DK-7800 Skive, Denmark

Tel.: +45 9614 9614, Fax: +45 9614 9615  
E-mail: deif@deif.com, URL: www.deif.com

