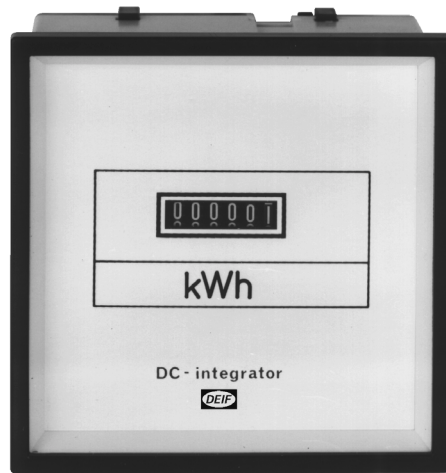


DC integrator Pulse transmitter

Type DCF-Q96

4921220014D

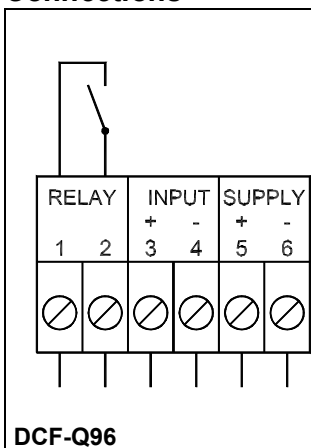


- ***Converts DC signals into a frequency proportional pulse signal***
- ***Recording of kWh and kvarh in conjunction with transducers types TAP/TAQ***
- ***High accuracy (crystal controlled)***
- ***Relay output for connection to external counter***

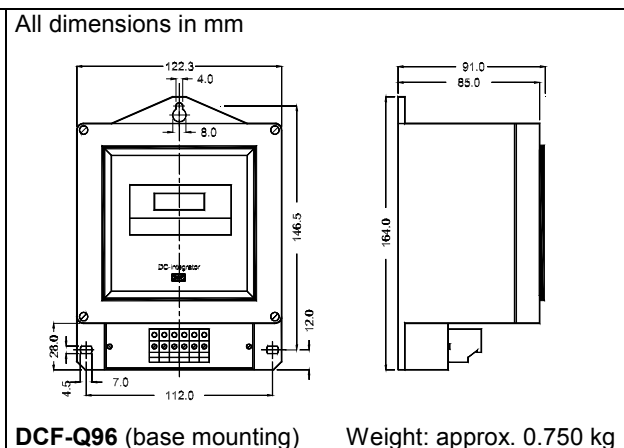
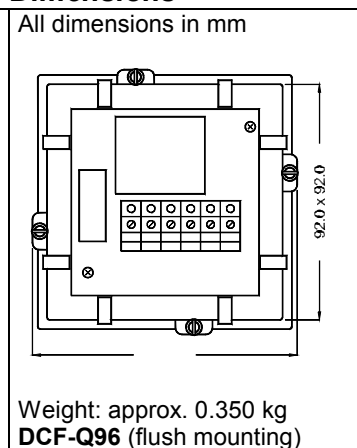
Technical specifications

Measuring ranges, DC (standard)	Voltage: 1V...10V DC, R _i : 10k Ω. Current: 1...20mA, voltage drop: <1.3V. Live zero: 20% of measuring range.
Effective measuring range	2...120% of specified measuring range. Input signals <2% or >170% of the specified measuring range: the function of the transducer is automatically blocked.
Pulse frequency	Proportional to the fed input signal within 2...120% of the specified measuring range. The pulse frequency (~100% input signal) may be set within the range 1...999 p.p.h. (pulses per hour) at intervals of 1 p.p.h. by means of 3 built-in rotary switches.
Accuracy	Class 0.5% of set value (p.p.h.) (-10...15...30...55°C) to EN 60051 and IEC 51.
Temperature drift	Max. 0.15% of set value (p.p.h.) per 10°C.
Non-linearity	Max. 0.1% of set value (p.p.h.) for inputs: 2...120%.
Auxiliary voltage drift	Max. 0.05% of set value (p.p.h.) per 10% variation of auxiliary voltage.
Counter	Built-in electromechanical 6 digit counter without reset function.
Relay output	For connection to external counter: potential-free N/O contact (normally open). "ON"-time: approx. 200ms. Rating: Max. 250V-2A-400VA (AC), 250V-2A-50W (DC), at resistive load and 2 x 10 ⁶ changeovers. Mechanical life: 2 x 10 ⁷ changeovers.
Auxiliary voltage	100-110-127-220-230-240-380-400-415-440V AC ±20%, 40...70Hz 24V DC ±25% (DC inverter built in).
Burden	AC voltages: 3...5VA. DC voltages: 4W.
Galvanic separation	Between input, output, auxiliary voltage. 2kV - 50Hz - 1 min. (test voltage).
Temperature	-10...55°C (nominal), -25...60°C (operating), -40...70°C (storage).
Climate	Class HUE, to DIN 40040.
EMC:	EN 50081-1/2, EN 50082-1/2, SS4361503 (PL4), IEC 255-22-1 (class 3). CE marked for residential, commercial and light industry plus industrial environment.
Protection	IP53. Terminals: IP20. To EN 60529 and IEC 529.
Materials	Self-extinguishing plastic materials, to UL94 (V0)
Connections	Screw terminals: Max. 2.5 mm ² (multi-stranded), max. 4 mm ² (single stranded).
Dimensions (flush mounting)	96 x 96 x 75 mm, to DIN 43700. Panel cut-out: 92 x 92 mm +0.8

Connections



Dimensions



Order specifications

	Type	Mounting	DC input	Pulse frequency	"Unit" (e.g. kWh, m ³ /h)	Auxiliary voltage
Example:	DCF-Q96	Base	0...10V DC	1...999 p.p.h.	kWh	230V AC

Due to our continuous development we reserve the right to supply equipment which may vary from the described.



DEIF A/S, Frisenborgvej 33
DK-7800 Skive, Denmark

Tel.: +45 9614 9614, Fax: +45 9614 9615
E-mail: deif@deif.com, URL: www.deif.com

