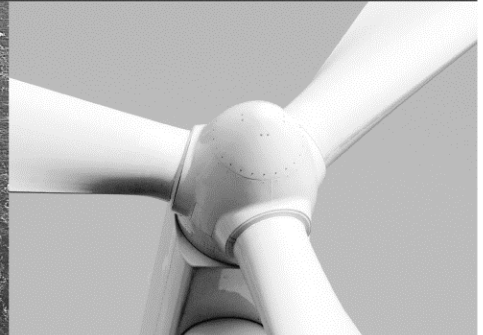
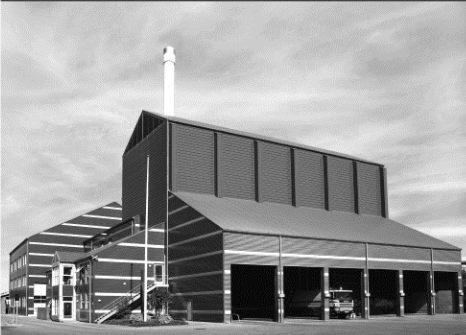




-power in control



Delomatic 4 DM-4 Land/DM-4 Marine



Replacement Instructions AOP-2



DEIF A/S · Frisenborgvej 33 · DK-7800 Skive
Tel.: +45 9614 9614 · Fax: +45 9614 9615
info@deif.com · www.deif.com

Document no.: 4189340465C

Table of contents

1. REPLACEMENT OF THE ADDITIONAL OPERATOR PANEL 2 (AOP-2) 3
 GENERAL INSTRUCTION 3
 REPLACEMENT OF MODULE 3

1. Replacement of the Additional Operator Panel 2 (AOP-2)

General instruction

Before replacing any modules, please refer to the General Instruction for replacement of Delomatic 4 modules.



Be aware of static electricity when handling!

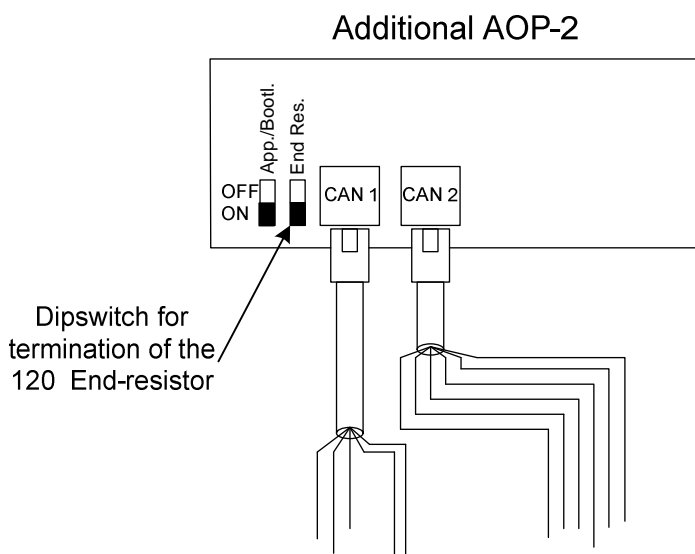
- Please do not switch over modules from one DGU to another before consulting the documentation provided by DEIF A/S, and preferably consulting DEIF A/S.
- Please let us know if you do switch modules permanently, this will help us keep our records updated. Call us or send a fax to DEIF A/S, for the attention of the service department:

Tel.: + 45 9614 9614 Fax: +45 9614 9615

- When modules are replaced due to updating or due to any malfunctions, please let us know the exact location of new modules.

Replacement of module

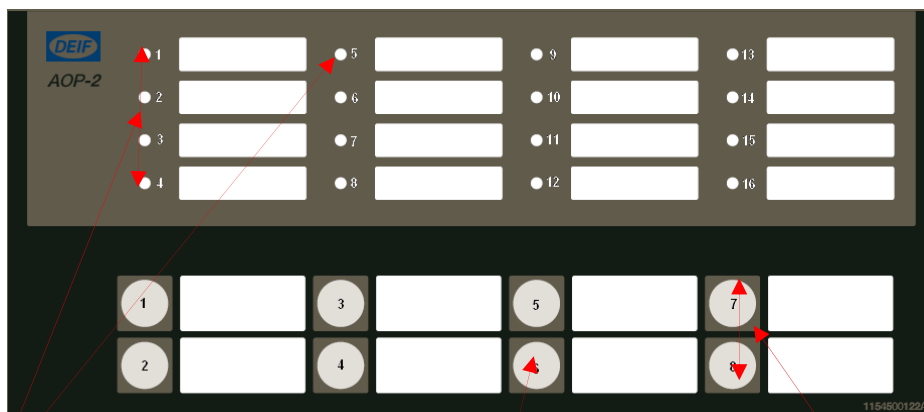
- Switch all equipment into switchboard control
- Remove the power supply from the defective DGU
- Remove other connections/plugs on the AOP-2
- Take out the text labels from the defective AOP-2 and insert these into the pockets on the new AOP-2
- Connect the plugs and power supply again
- Set the CAN slave ID according to the correct configuration, please see the HMI setup document
- Make a test to secure that the system works as predetermined



Setup of AOP-2 CAN no.

The AOP-2 needs a CAN no. to tell the system which AOP-2 it is on the BUS. If there is only one AOP-2, the no. is set to 1. If there is more than one, they will be numbered 1, 2, 3 etc.

To set up the CAN no., first press the 2 buttons to the right for 5 sec. The no. is indicated with a red light in the first left column of LEDs. If LED no.1 is on, it has no. 1, if LED no. 2 is on, it has no. 2 and so on. To scroll up and down, use the two buttons to the right. To choose the selected no., press the enter button. This button is also used to exit the setup. See the illustration below to find the different buttons and LEDs.



LEDs 1-5 indicate CAN no.

Enter/exit push-button.

Push-buttons to enter setup and change no. of CAN.

Please notice:

If two displays have the same ID, LEDs 1-5 will flash quickly.

Button 6 - jump into the "ID change menu".

DEIF A/S reserves the right to change any of the above.