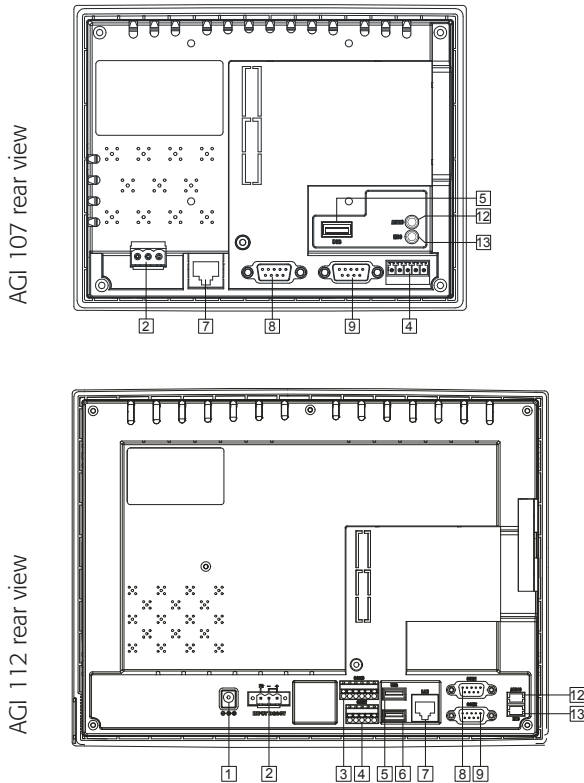


# Installation instructions

-power in control-

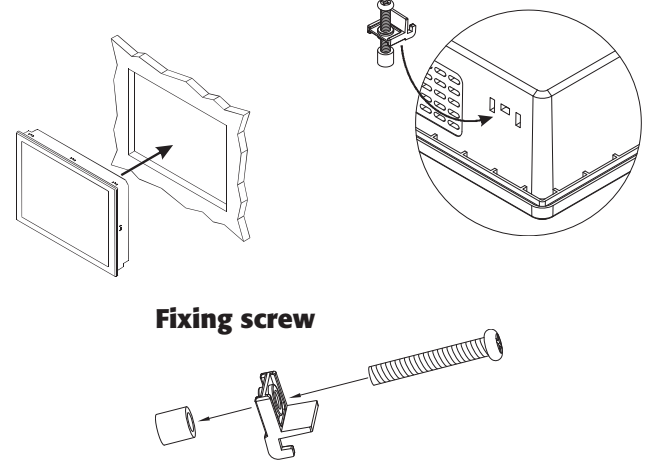
## AGI 100 series



### Parts introduction

- 1 Power connector (jack)
- 2 Power connector (terminal)
- 3 Com3 6pin (terminal)
- 4 Com2 5pin (terminal)
- 5 USB connector
- 6 USB connector
- 7 Ethernet port (for NT/AT models)
- 8 Com1 9 pin female
- 9 Com2 9 pin male
- 12 Audio
- 13 Mic

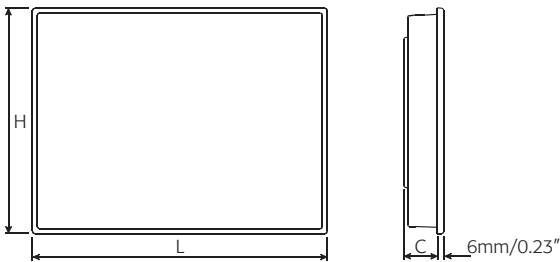
### Panel fixing



**1** Screw each fixing screw until the bezel corner is in contact with the panel. **3**

### Outlet

Document no.: 4189340623B



### Cutout

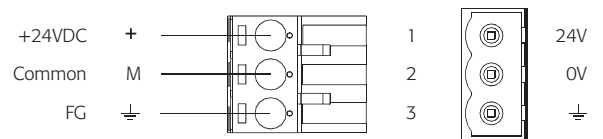


Model	A	B	C	H	L
AGI 107	175 mm 6.89"	133 mm 5.23"	36 mm 1.41"	143 mm 5.62"	185.5 mm 7.30"
AGI 112	302 mm 11.89"	228 mm 8.98"	55 mm 2.16"	241 mm 9.49"	315 mm 12.40"

### Panel fixing

Document no.: 4189340623B

Powered by a low voltage/limited energy power source.



Do not open the rear cover of the panel when power is applied.

Ensure that the power supply has enough power capacity for the operation of the equipment.

Items models	Power consumption
AGI 107	24V DC $\pm$ 17%: 15W
AGI 112	24V DC $\pm$ 17%: 25W

### Download cable

Com 1 connector 9 pin male	PC connector 9 pin female
RXD 2—3	TXD
TXD 3—2	RXD
SG 5—5	SG

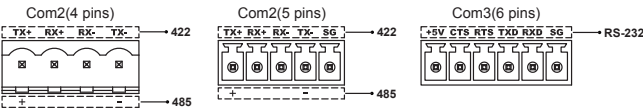
Com 2 connector 9 pin male	PC connector 9 pin female
RXD 2—3	TXD
TXD 3—2	RXD
SG 5—5	SG

Com 1 (DB-9 female)

Com 2 (DB-9 male)

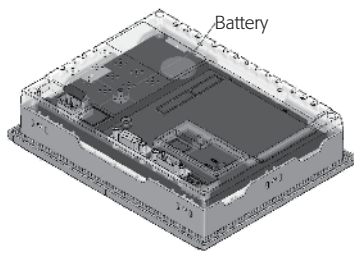
Pin	Description
1	RD-422 TXD+/RS-485+
2	RS-232 RXD
3	RS-232 TXD
4	RS-422 RXD+
5	GND
6	RS-422 TXD/RS-485-
7	RS-232 RTS
8	RS-232 CTS
9	RS-422 RXD-

Pin	Description
1	
2	RS-232 RXD
3	RS-232 TXD
4	
5	GND
6	
7	RS-232 RTS
8	RS-232 CTS
9	Optional 5V output



**Dispose of batteries**

Battery: MATSUSHITA/  
PANASONIC 3V 50mAh  
Vanadium Lithium  
Rechargeable Battery  
type VL2330/1HF



Dispose of batteries according to local regulations.

5

The products have been designed for use in an industrial environment in compliance with the 2004/108/CE directive.

The products have been designed in compliance with:

- EN 61000-6-4      EN 55011 Class A
- EN 61000-6-2      EN 61000-4-2
- EN 61000-4-3
- EN 61000-4-4
- EN 61000-4-5
- EN 61000-4-6
- EN 61000-4-8
- EN 61000-4-11

The installation of these devices into the residential, commercial and light-industrial environments is allowed only in the case that special measures are taken in order to get the conformity to IEC-61000-6-3.

Reproduction of the contents of this copyrighted document, in whole or part, without written permission of DEIF A/S is prohibited.

DEIF reserves the right to change any of the above.



-power in control-

DEIF A/S · Frisenborgvej 33 · DK-7800 Skive  
Tel.: +45 9614 9614 · Fax: +45 9614 9615  
info@deif.com · www.deif.com



Due to our continuous development we reserve the right to supply equipment which may vary from the described.



6

**Drill template AGI 107**

Mark with a pen or a sharp item in each corner

Do not cut out area, backside contains text.

