

Running hours counters

Type HCQ48

4921210036E



- *For AC or DC measuring voltage*
- *Quartz controlled stepping motor*
- *Quiet operation*
- *No maintenance, no lubrication*
- *In DIN size case, 48 x 48 mm, for flush or base mounting*

Application

Used for accurate recording/read-out of operating time, servicing time, period of guarantee, determination of costs, supervising of machinery and power plants, etc. The HCQ48 is CE classified for residential, commercial and light industry.

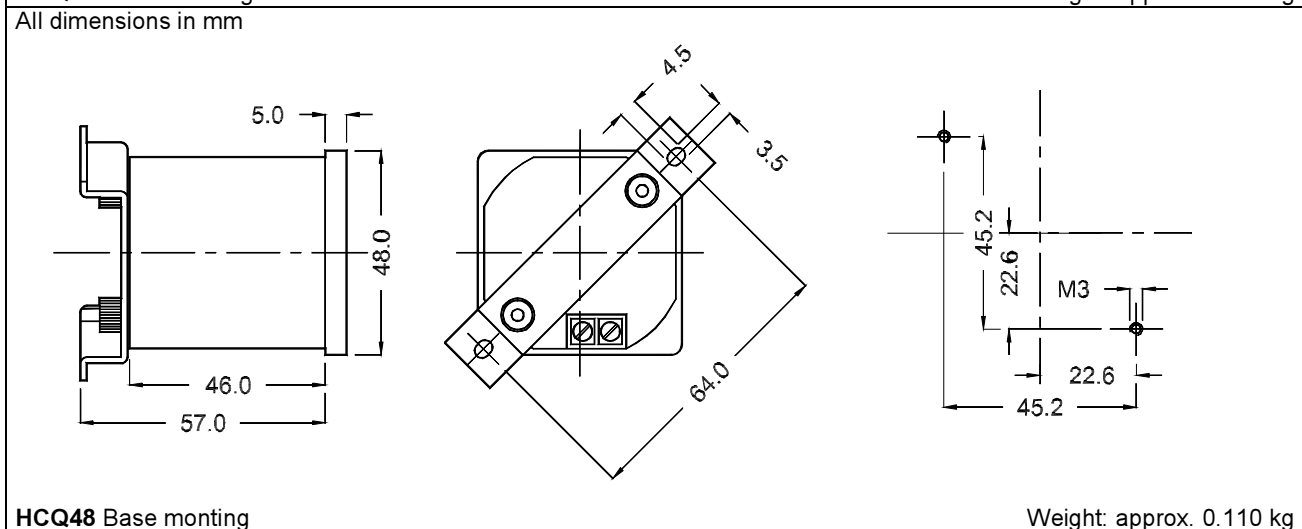
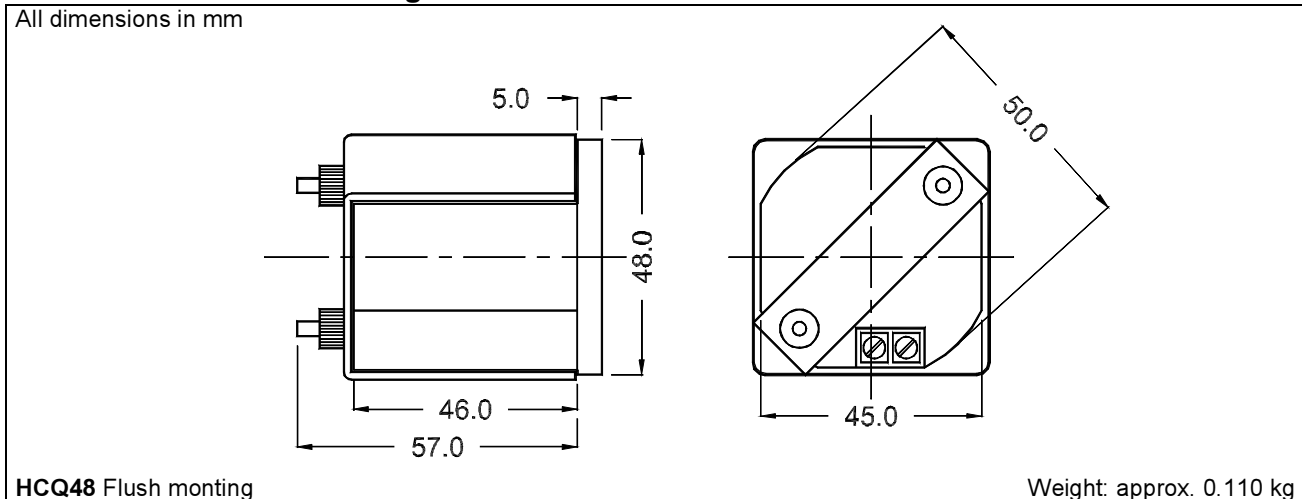
The counter is switched on and off at the same time as the equipment to be monitored.

Can be built into sensitive equipment, as the meter does not generate any external electrical noise.

Technical specifications

Counting range:	AC: 99999.99 DC: 999999.9. The meter then automatically resets to zero.
Accuracy:	AC: Depends on the mains frequency. DC: $1 \times 10^{-5}/24$ hours.
Measuring voltage:	24 - 110 - 230 - 400V AC +10%/-15%. 12...36V DC $\pm 10\%$. Others on request.
Consumption:	AC: approx. 1.5W. DC: 0.07...2W.
Frequency (AC):	50Hz or 60Hz.
Ambient temperature:	-10...+55°C (nominal), -25...60°C (operating), -25...65°C (storage).
Climate:	Class JVE, to DIN 40040.
Test voltage:	2kV.
EMC:	To EN 50081-1/2 and EN 50082-1.
Protection:	IP40, to IEC 529 and EN 60529.
Mounting angle:	Any.

Dimensional details/mounting instructions



Order specifications

Examples:	Type	Measuring voltage	(Frequency)	Mounting
	HCQ48	230V AC	50Hz	Base
	HCQ48	24V DC		Flush

Due to our continuous development we reserve the right to supply equipment which may vary from the described.



DEIF A/S, Frisenborgvej 33
DK-7800 Skive, Denmark

Tel.: +45 9614 9614, Fax: +45 9614 9615
E-mail: deif@deif.com, URL: www.deif.com

