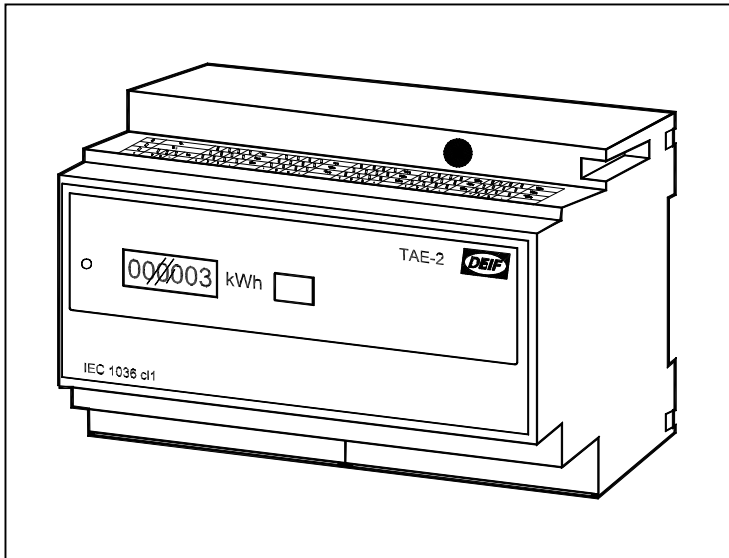


TAE-2

Switchboard instrumentation

4189320001C (UK)

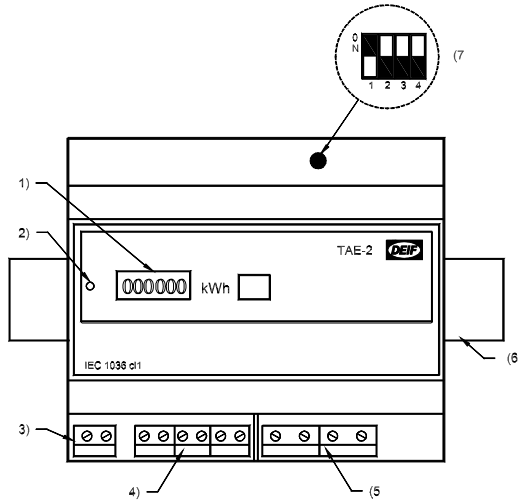


DEIF A/S
Frisenborgvej 33, DK-7800 Skive
Denmark

Tel.: (+45) 9614 9614
Fax: (+45) 9614 9615
E-mail: deif@deif.com



1. Description



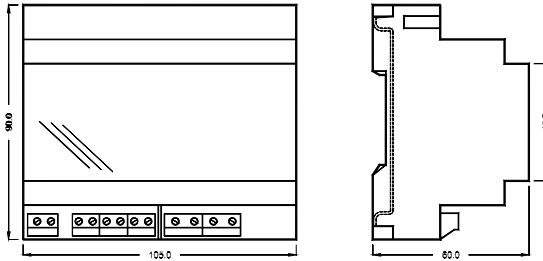
- 1) 6 digit counter (kWh)
- 2) Metrology control and visualisation of energy transit. Metering frequency 125 Wh.
- 3) Relay contact output
- 4) Inputs secondary of Ct
- 5) Voltage inputs
- 6) DIN rail
- 7) Selection of primary rating for current transformers

Selection of Ct ration

In	1	2	3	4	In	1	2	3	4	In	1	2	3	4	In	1	2	3	4	In	1	2	3	4	In	1	2	3	4
30	○	○	○	○	50	●	○	○	○	100	○	○	●	○	250	●	●	●	○	500	○	○	●	●	1000	○	●	●	●
On	●				60	○	●	○	○	150	●	○	○	○	300	○	○	○	●	600	●	○	○	○	1500	○	○	○	○
Off	○				80	●	●	○	○	200	○	○	●	○	400	●	○	○	○	800	○	○	●	○	2000	○	○	○	○

For direct energy-reading, put the selector on the correct current transformer ratio.
Important: the TAE-2 ratio selection will be activated only after voltage inputs reconnection.

2. Dimensions

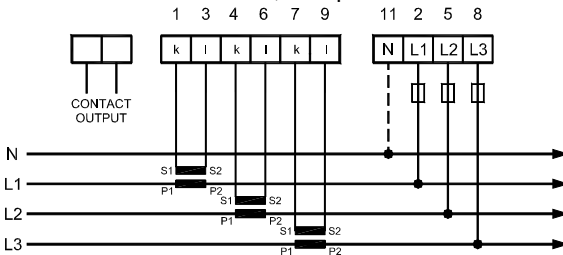


3. Installation

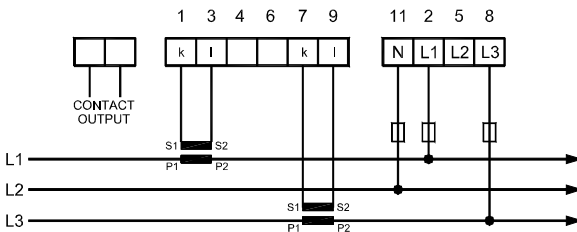
Connect primary cable to the TAE-2 according to the wiring diagram. The energy must flow from “P1” to “P2”. Make sure that the meter operates properly by checking the front face LED which lights 125Wh. The LED stay ON when wiring is wrong.

TAE-2 CONNECTION FOR 4 WIRE NETWORK

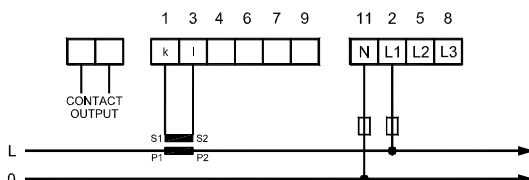
Connection to neutral line, if required.



TAE-2 CONNECTION FOR 3 WIRE NETWORK



TAE-2 CONNECTION FOR SINGLE PHASE NETWORK





4. Pulse sender device

The TAE-2 model is equipped with relay contact output.

5. Technical specifications

Connection:	3 phase 3 wire (2 external current transformers), or: 3 phase 4 wire (3 external current transformers), or: single phase (1 external current transformer)
Measuring voltage:	230V/400V AC -20/+20%, or: 132/230V AC -20/+20% Consumption < 3VA. The measuring voltage is internally connected to the supply voltage.
Measuring current:	1A or 5A.
Consumption:	0.1VA. $I_n = 1A$ or $5A$, $I_b = 0.05 \times I_n$, $I_{max} = 1.2 \times I_n$
Overcurrent:	$25 \times I_n$ for 3 s/ $50 \times I_n$ for 1 s
Measuring range:	30-50-60-80-100-150-200-250-300-400-500-600-800-1000-1500-2000/1A or 5A. Determined by the current transformer ratio.
Measuring frequency:	45...65Hz
Read-out:	6 digit mechanical counter. No reset function.
Output:	Relay contact output.
Pulse ratio:	1 pulse per kWh. Max. number of pulses 4000 per hour.
Pulse width:	100 ms.
Contact ratings:	250V – 6A – 1500VA (AC) 24V – 6A – 150VA (DC)
Max. voltage:	250V
Safety:	600V-Cat II Pollution deg. 2 to EN61010-1
Indication:	LED for indication of correct connection and correct function.
Flash frequency:	125Wh.
Accuracy:	Class 1 (-10...15...30...55°C), to EN61036 and IEC1036
Temperature:	-10...55°C (nominal), -20...70°C (storage)
Humidity:	Up to 95% (without condensing)
EMC:	Emission and immunity To EN61036 and IEC1036
Connections:	Screw terminals, 2.5 mm ²
Protection:	IP20, to EN60529 and IEC529
Materials:	All plastic parts are self-extinguishing to UL94 (V0).

Errors and changes excepted