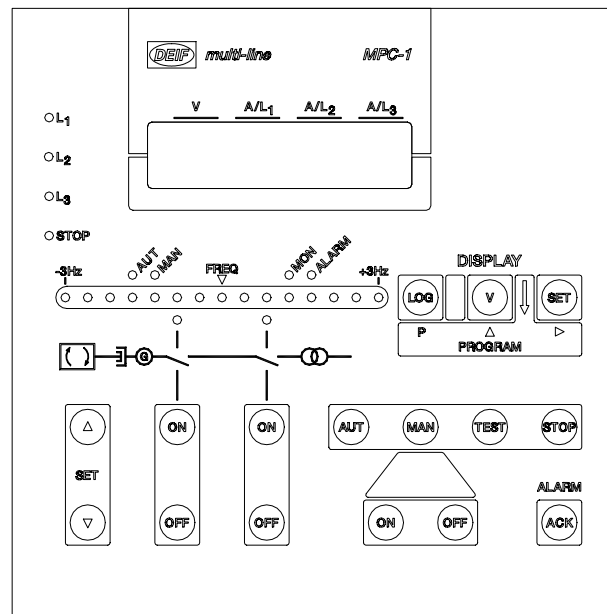


Multi Power Controller MPC-1 multi-line 4189340102D



- Complete control system in one package:
 - island operation
 - parallel with mains operation
 - emergency generator control
- 3-phase AC measurements
- Calculation of complex AC values
- Generator and mains supervision and protection
- Prime mover start/supervision/stop
- Breaker synchronisation





List of contents

1.	Warnings, legal information and notes to CE-marking	3
2.	Terminal list.....	4
3.	Wiring diagrams.....	10
3.1.1	AC inputs with mains breaker (Option A)	10
3.2	AC inputs without mains breaker (option A)	11
3.3	Breaker control with mains breaker (option A)	12
3.3.1	Breaker control without mains breaker (option A)	12
3.4	Speed governor and AVR control	13
3.5	Binary inputs	13
3.6	Relay outputs	13
3.7	Analog inputs	13
3.8	Pt 100 inputs	14
3.9	Analog outputs	14
3.10	RPM pickup input.....	14
3.11	Load sharing communication	14
4.	Commissioning	15
5.	Technical data	16
6.	Dimensions.....	17

THIS INSTALLATION MANUAL RELATES TO MPC-1 VERSION 1.0X (VERSIONS 1.01...1.09)

For further information, see "User's manual, multi power controller MPC-1 ref. no. 4189340101" and "Programming manual, multi power controller MPC-1 ref. no. 4189340103".

1. Warnings, legal information and notes to CE-marking

This manual gives general guidelines on how to install and operate a gen-set using the product MPC-1. Installing and operating a gen-set implies generation of dangerous current and voltages, and therefore this should only be done by qualified personnel. DEIF takes no responsibility for operation or installation of gen-sets or other systems using the described methods in this manual. If there is any doubt about how to install or operate the gen-set the company responsible for installation or operation must be contacted.

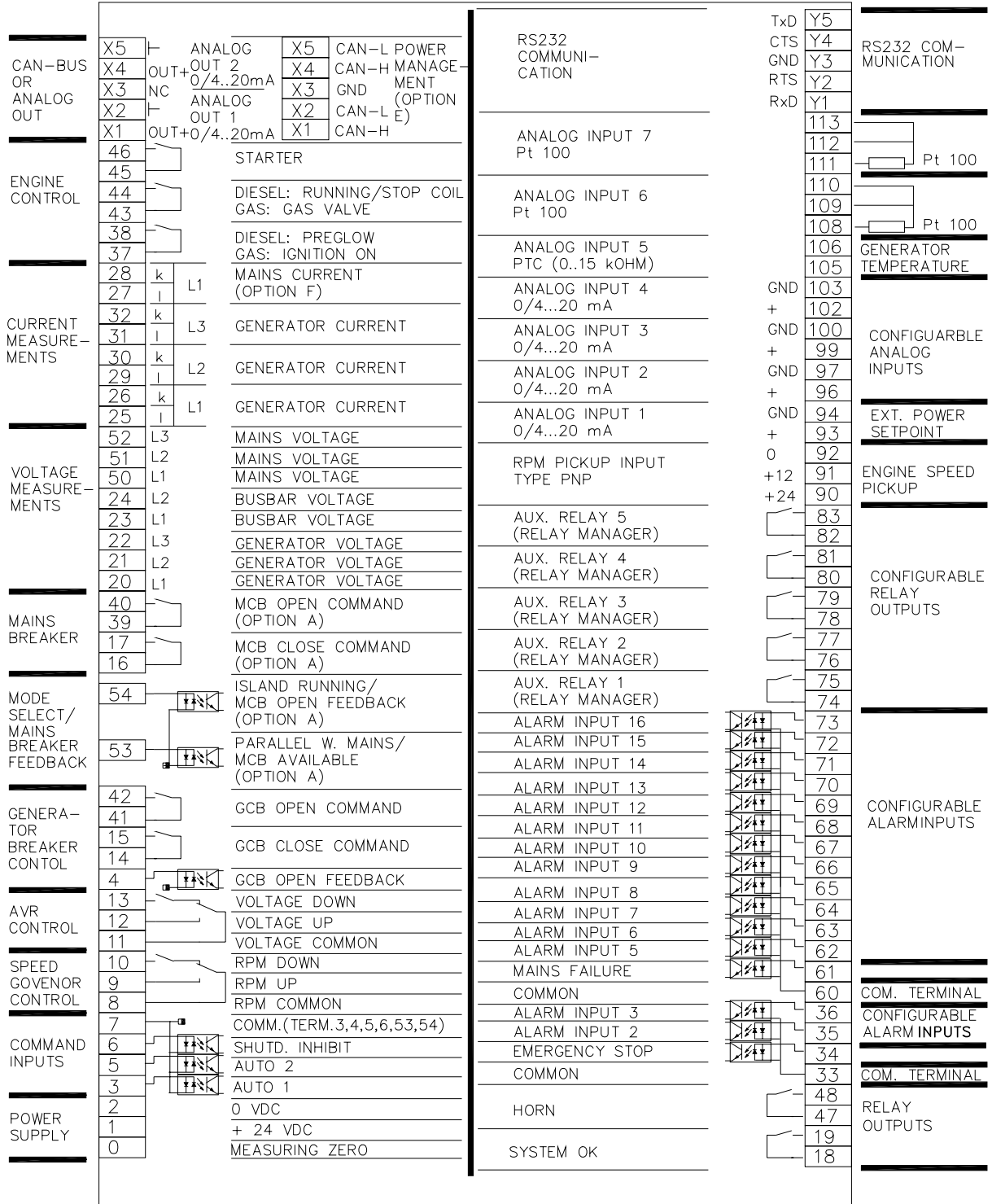
MPC-1 is CE-marked with respect to the EMC directive for residential, commercial and light industry plus industrial environment.

MPC-1 is CE-marked with respect to the low-voltage directive for 300 V class systems, protection class III and pollution degree 2.

Take precautions against electrostatic discharges when service or installation operations are done. The unit is protected against electrostatic discharge in normal operating situations, but service or installation operations can cause unforeseen electrostatic discharges.

2. Terminal list

The figure shows an overview of the terminals. Further explanations on the next pages.



In the following, these terminologies will be used:

CC = Closed contact OC = Open contact

Binary inputs are considered ON (CC) if input voltage between input terminal and common (- / 0) is 18...250 VDC or VAC. The binary inputs are divided in 3 groups. The 3 groups are galvanically separated from each other and the rest of the unit. In this manner, a power source other than the 24 VDC power supply may be used, if needed.

Terminal no.	In/Out	I/O Type	Signal name	Description
0 (spade connector next to term. no. 1)		0	AC ZERO GROUND	0 (star point) connection for 3-phase 4-wire AC systems. It is essential, that that the generator star point (0) is connected to this terminal and to GROUND. Otherwise, false voltage readings may occur.
1 2	+ 0	Supp.	Supply	Power supply 24 VDC +/- 50% 10W
3 Group 1	In	Binary in	Auto 1	Auto 1 = CC. Auto running with setp.1.
4 Group 1	In	Binary in	GB open	Gen. breaker open = CC
5 Group 1	In	Binary in	Auto 2	Auto 2 = CC. Auto running with setp. 2.
6 Group 1	In	Binary in	Shutdown inhibit	Shutdown inhibit running = CC. See paragraph 5.4.2. WARNING. THIS MODE DISABLES ENGINE PROTECTIONS
7 com. 1	Com.	Com.	Common	Term. 3, 4, 5, 6, 53, 54 inputs
8	Com.	Comm.	Common	Term. 9, 10 outputs
9	Out	Relay	Increase speed	increase speed = Term. 8-9 CC*1
10	Out	Relay	Decrease speed	Decrease speed = Term. 8-10 CC*1
11	Com.	Com.	Common	Terminal 12, 13 outputs*1
12	Out	Relay	Increase voltage	Increase voltage = Term. 11-12 CC*1
13	Out	Relay	Decrease voltage	Decrease voltage = Term. 11-13 CC*1
14 15		Relay output	Close GB	Close generator breaker = CC
16 17		Relay output	Close MB	Close mains breaker = CC (Option A)
18		Relay	Ready	Engine ready for service =



19		output		CC
20	L1	AC V input	Generator voltage	3-phase generator voltage, 100/110 or 250...400 VAC.
21	L2			
22	L3			
23	L1	AC V input	Busbar voltage	2-phase busbar voltage, 100/110 or 250...400 VAC.
24	L2			

*1 : Analog output if option B is chosen:

8	Io	Analog out	Current out	Speed governor analog output option B1/ B3. ± 20 mA or $\pm 5/10$ V DC
9	Uo		Voltage out	
10	0	--do--	0 V/mA out	Speed governor analog output 0
11	Io	Analog out	Current out	AVR governor analog output option B2/B3. ± 20 mA or $\pm 5/10$ V DC
12	Uo		Voltage out	
13	0	--do--	0 V/mA out	AVR governor analog output 0

In the following section, the inputs named "Alarm x" (x is the number) are freely selectable for warnings, stop functions or shutdowns (eg. for lube oil pressure, water temperature, overspeed etc.)

Terminal no.	In/Out	I/O Type	Signal name	Description
25	S2	AC I input	Generator current phase L1	/1 or /5 A current transformer input
26	S1			
27	S2	AC I input	Mains current phase L1	/1 or /5 A current transformer input (Option F)
28	S1			
29	S2	AC I input	Generator current phase L2	/1 or /5 A current transformer input
30	S1			
31	S2	AC I input	Generator current phase L3	/1 or /5 A current transformer input
32	S1			
33	Com	Common		common terminal for term. 34, 35 and 36.
34	In	Binary	Emergency stop	Pre-selected function
35	In	Binary	Alarm 2	Alarm message 2 ON = CC/OC Configurable.
36	In	Binary	Alarm 3	Alarm message 3 ON = CC/OC Configurable.
37	Out	Relay	Ignition/	Ignition(gas engine) / Preglow

38			Preglow	(diesel engine) command = CC (selectable)
39 40	Out	Relay	Open MB	Mains breaker open command = CC (Option A)
41 42	Out	Relay	Open GB	Gen. breaker open command = CC
43 44	Out	Relay	Running (stop) valve / gas valve	Activate running valve (or engine stop signal, selectable) (diesel engine) / gas valve (gas engine) = CC (selectable)
45 46	Out	Relay	Start	Start command = CC
47 48	Out	Relay	Horn	Horn output = CC
50 51 52	L1 L2 L3	ACV input	Mains voltage	3-phase mains voltage, 100/-110 or 250 ...440 VAC. NOTE: If mains breaker (option A) is not chosen, the mains voltage measurement must be connected to the busbar. If mains breaker (option A) is chosen, mains voltage is measured on mains side of the breaker.
53 Group 1	In	Binary	Parallel w. mains/MB free (Option A)	Parallel w. mains / MB free to operate (Option A) : U 53-7 18 V
54 Group 1	In	Binary	Island operation / MB open (Option A)	Island operation / Mains breaker open (Option A): U 53-7 18 V

Terminal no.	In/Out	I/O Type	Signal name	Description
60 com 3	In	Com.	Common	Term. 61 to 73 inputs
61 Group 3	In	Binary	Mains fail	Mains fail externally detected.
62 Group 3	In	Binary	Alarm 5	Alarm message 5 ON = CC/OC Configurable.
63 Group 3	In	Binary	Alarm 6	Alarm message 6 ON = CC/OC Configurable.
64 Group 3	In	Binary	Alarm 7	Alarm message 7 ON = CC/OC Configurable.
65 Group 3	In	Binary	Alarm 8	Alarm message 8 ON = CC/OC Configurable.



66 Group 3	In	Binary	Alarm 9	Alarm message 9 ON = CC/OC Configurable.
67 Group 3	In	Binary	Alarm 10	Alarm message 10 ON = CC/OC Configurable.
68 Group 3	In	Binary	Alarm 11	Alarm message 11 ON = CC/OC Configurable.
69 Group 3	In	Binary	Alarm 12	Alarm message 12 ON = CC/OC Configurable.
70 Group 3	In	Binary	Alarm 13	Alarm message 13 ON = CC/OC Configurable.
71 Group 3	In	Binary	Alarm 14	Alarm message 14 ON = CC/OC Configurable.
72 Group 3	In	Binary	Alarm 15	Alarm message 15 ON = CC/OC Configurable.
73 Group 3	In	Binary	Alarm 16	Alarm message 16 ON = CC/OC Configurable.
74 75	Out	Relay	Config relay 1	Relay manager controlled output. Configurable.
76 77	Out	Relay	Config relay 2	Relay manager controlled output. Configurable.
78 79	Out	Relay	Config relay 3	Relay manager controlled output. Configurable.
80 81	Out	Relay	Config relay 4	Relay manager controlled output. Configurable.
82 83	Out	Relay	Config relay 5	Relay manager controlled output. Configurable.
90 91 92	+24V +12V GND	Pick-up	Engine RPM	Engine RPM pulse input. Configurable.

*3: Analog output if option C is chosen

Terminal no.	In/Out	I/O Type	Signal name	Description
93 94 95	1+ 2 gnd NC	0/4..20mA	Pset	Power production external setpoint.
96 97 98	1+ 2 gnd NC	0/4..20mA	Analog 2	Configurable analog input.
99	1+	0/4..20mA	Analog 3	Configurable analog

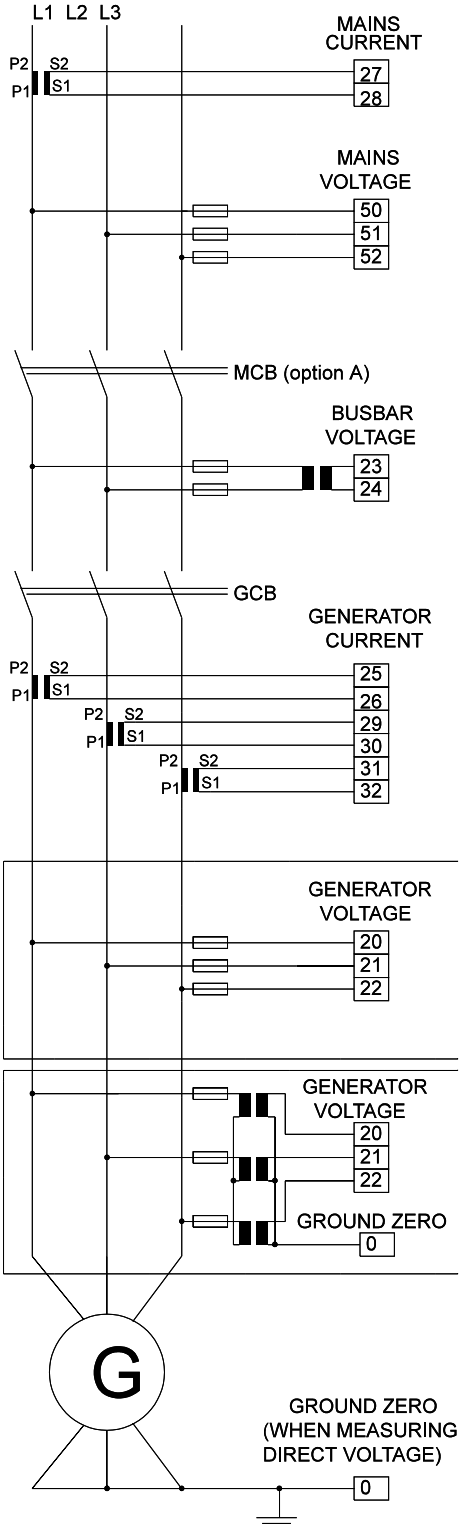
100 101	2 gnd NC			input.
102 103 104	1+ 2 gnd NC	0/4..20mA	Analog 4	Configurable analog input.
105 106 107	1 2 NC	PTC	Generator stator temp.	PTC 0..15 k input
108 109 110	1 2 3	Pt 100	Temperature 2	3-wire temp. input
111 112 113	1 2 3	Pt 100	Temperature 3	3-wire temp. input
Y1 Y2 Y4 Y5		RxD RTS CTS TxD	Communication	Serial comm. RS 232 (Option D)
X1 X2 X3 X4 X5	NC	CAN-H CAN-L CAN-H CAN-L	Communication	CAN-bus communication for load sharing (Option E)

Option C configuration:

Terminal no.	In/Out	I/O Type	Signal name	Description
X1 X2	Out+ GND	0/4..20mA	Analog out 1	Analog output, configurable via analog manager
X4 X5	GND Out+	0/4..20mA	Analog out 2	Analog output, configurable via analog manager

3. Wiring diagrams

3.1.1 AC inputs with mains breaker (Option A)



NOTE: Fuse in all AC voltage connections: Max. 2A slow-blow

Mains voltage connection shown is direct, 460 VAC max. Higher voltages requires voltage transformers, see generator voltage connection, transformers.

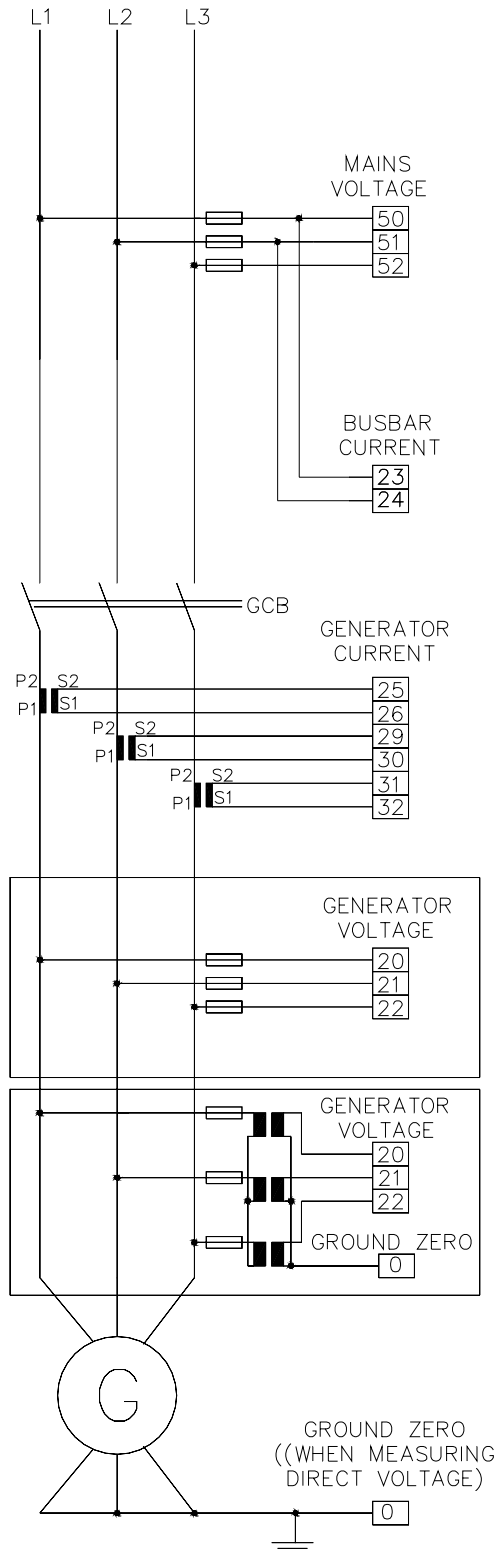
NOTE: If there are no mains breaker (option A) the mains voltage measurement and the busbar voltage measurement are both to be connected to the busbar. If not, the unit will fail to synchronise.

Busbar voltage shown is via voltage transformer. Direct voltage measurement (max. 460 VAC) is done by connecting term. 23 to L1 and term. 24 to L2.

Direct voltage measurement. Max. 460 VAC.

Indirect voltage measurement. Generator voltage > 460 VAC.

3.2 AC inputs without mains breaker (option A)



NOTE: Fuse in all AC voltage connections: Max. 2A slow-blow.

Mains/busbar voltage connection shown is direct, 460 VAC max. Higher voltages requires voltage transformers, see generator voltage connection, transformers.

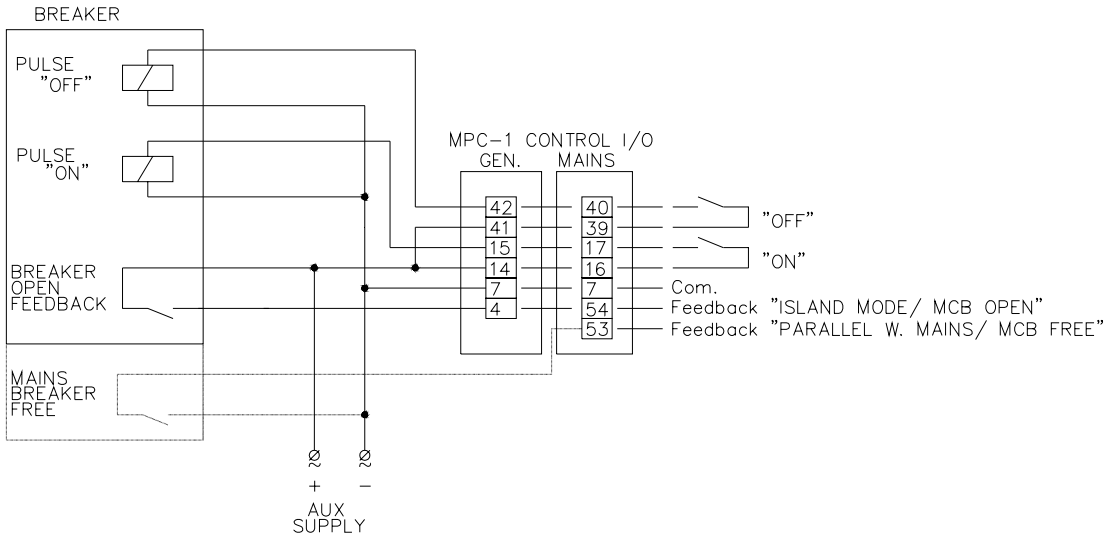
Direct voltage measurement. Max. 460 VAC.

Indirect voltage measurement. Generator voltage > 460 VAC.

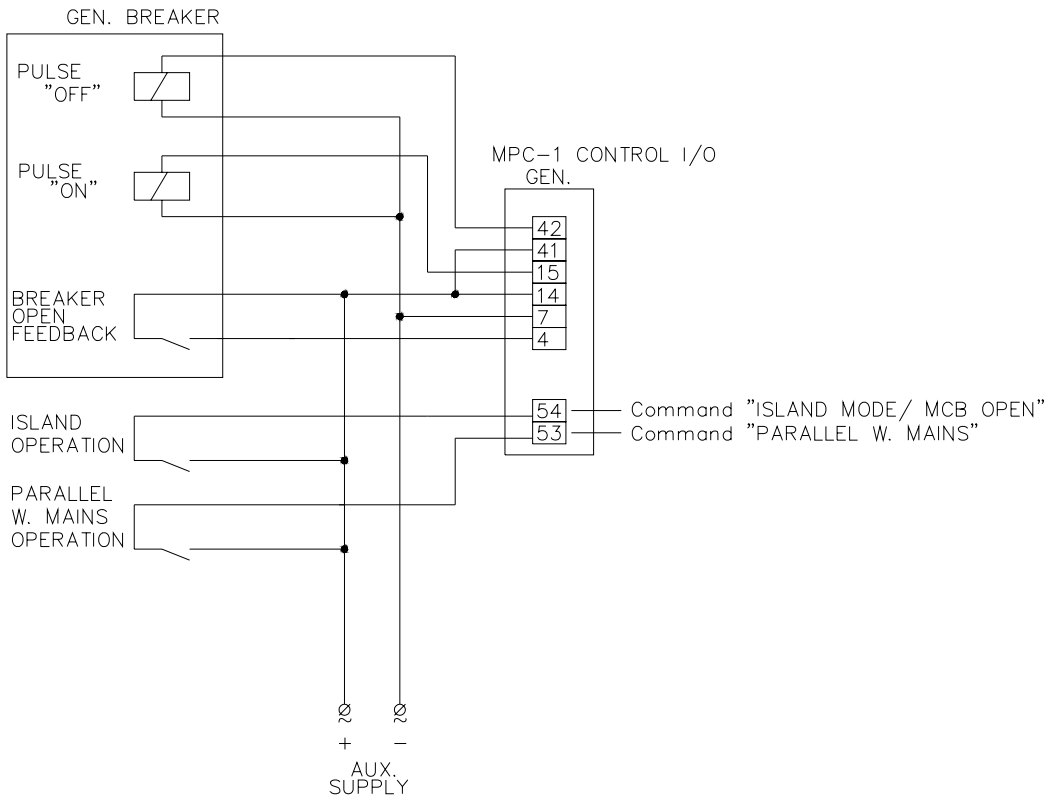
3.3 Breaker control with mains breaker (option A)

NOTE: The mains breaker control I/O's are only used for the breaker if option A is implemented. This includes the "mains breaker free" (dotted lines) feedback. If this feedback is not active (voltage on terminal 53 > 18V AC/DC), the mains breaker will not be activated by the MPC-1.

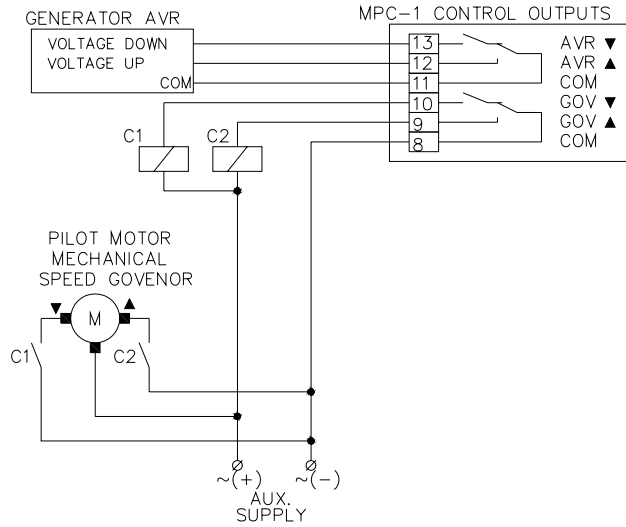
If "mains breaker" (option A) is **not** implemented, the inputs are used for choice of "parallel with mains mode" and "island operation mode".



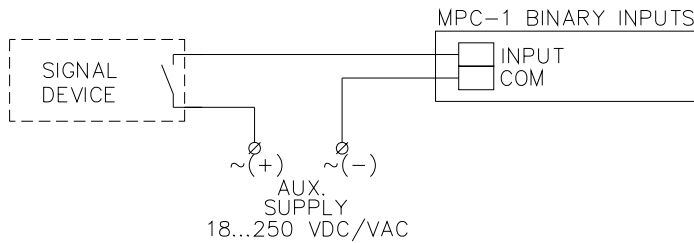
3.3.1 Breaker control without mains breaker (option A)



3.4 Speed governor and AVR control

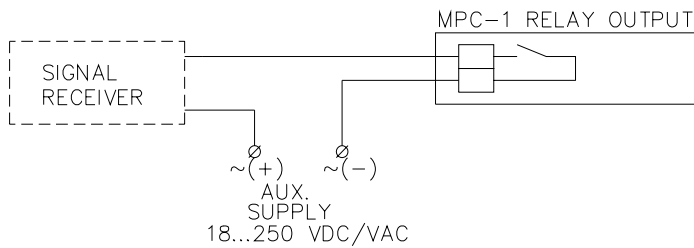


3.5 Binary inputs



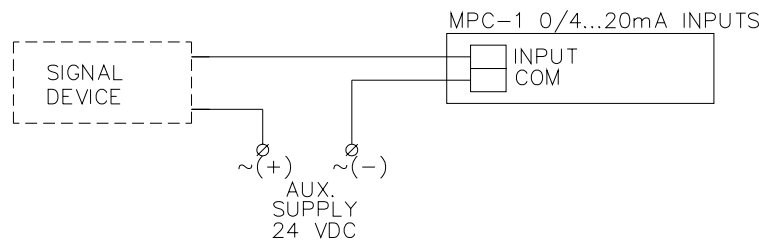
Internal input resistance: 68 kΩ

3.6 Relay outputs

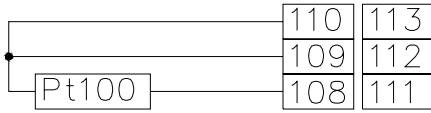


Max. load 5 A, 250 VAC
Governor outputs, however
max. load 8 A, 250 VAC.

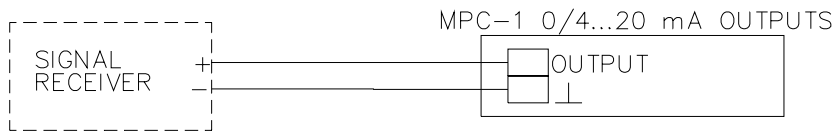
3.7 Analog inputs



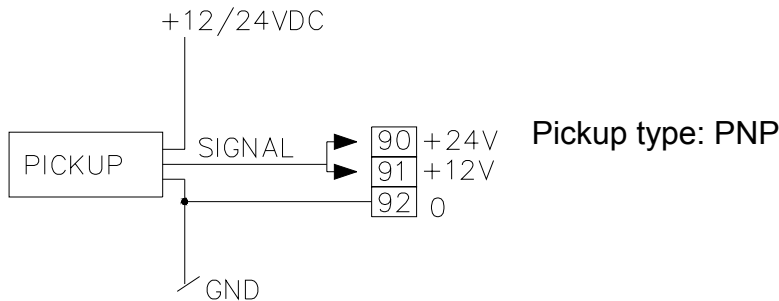
3.8 Pt 100 inputs



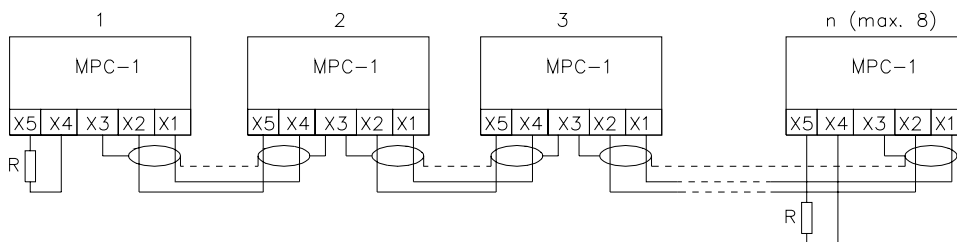
3.9 Analog outputs



3.10 RPM pickup input



3.11 Load sharing communication



End terminal resistor R = 80...120

CABLE: Shielded twisted pair, min. 0.25 mm².

4. Commissioning

Before commissioning: Check phases for correct voltage and correct rotary field. Emergency stop must be functioning.

Warning: Missing or incorrect voltage and other input fails may lead to malfunction and damage to the unit.

For further explanations regarding setpoints and their functions : Refer to paragraph 5 "parameter reference list" and paragraph 6 "Generator and engine protection parameter menu".

1. To avoid unwanted closing of breakers: Remove the wires "breaker on command" at the breaker terminals.
2. Connect 24 VDC power supply
3. Push the buttons "V" and "SET" simultaneously to swap between "auto" mode and "parameter" mode. Follow the instructions to change any parameter needed. Push the buttons "V" and "SET" again to return to "auto" mode.
4. Check all measured values. Check breaker feedback(s).
5. Use running mode "hand" to check start/stop of engine and control generator measurements. Check failure inputs.
6. Use running mode "test-run" to test automatic start sequence. Test breaker trip functions.
7. Go to "auto" mode. Check rotary field direction of mains and generator. Check correct "generator breaker on" command pulse e.g. with a synchronoscope.
8. Use "auto1" set to 25% to run a parallel with mains. Check displayed measured and calculated values.
9. (Only option A) check "mains breaker on" as described in pos. 7.
10. Check "emergency run".

NOTE: The feedbacks from breakers are "breaker open" feedbacks, i.e. the signal MUST be 0 V by closed breaker. These feedbacks MUST be correctly connected.



5. Technical data

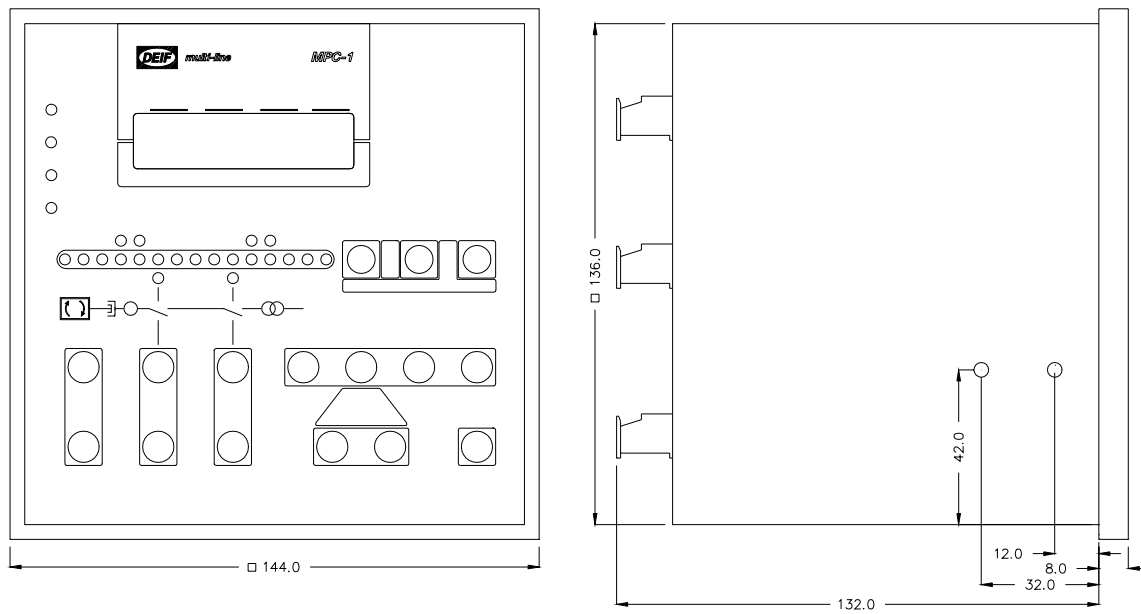
Accuracy:	Class 1.0 acc. to IEC 688 and EN 60688
Operating temp:	-20...+70 °C (LCD display, however: -20...+60 °C)
Climate:	Class HSE, to DIN 40040
Measuring voltage:	100/110 VAC to 400 VAC \pm 20% consumption approx. 0.15 VA per phase
Measuring current:	..1 or ..5 A, impedance < 0.1 Ω / phase max. overcurrent 2 x I _{nom} . Galvanically separated, 2000 V _{eff} test voltage
Measuring frequency:	50Hz (60Hz)
Aux. supply:	24 VDC +30/-25 %
Binary inputs:	Galvanically separated in groups, 2000 V _{eff} test voltage input voltage 18...250 VDC or VAC input impedance 68 k Ω
Relay outputs:	Contact rating 5 A @250 VAC (Governor output relays : 8 A @250 VAC) max. voltage 380 VAC lifetime min. 100.000 changeovers Galvanically separated, 2000 V _{eff} test voltage, >1000 M Ω @500 VDC
Analog inputs:	Free scaleable, 10 bit Gnd. terminals internally high-ohmic connected to terminal 0. - PTC: 15 k Ω - Pt 100 : DIN IEC 751 - 0/4...20 mA Max. impedance 400 Ω
Analog outputs:	Free scaleable, 12 bit Galvanically separated, 700 V _{DC} test voltage - 0/4..20 mA: Max load 400 Ω @ 24 VDC
Housing:	DIN 43700, WxHxD: 144x144x116, cutout 138x138 mm
Connections:	Max. 2.5 mm ² , multi stranded. 4 mm ² , single stranded
Protection:	IP 21, however, front IP 54

Weight: Dependent on version, approx. 1 kg

EMC: To EN 50081-1/2, EN 50082-1/2

6. Dimensions

All dimensions in mm



Errors and changes excepted.