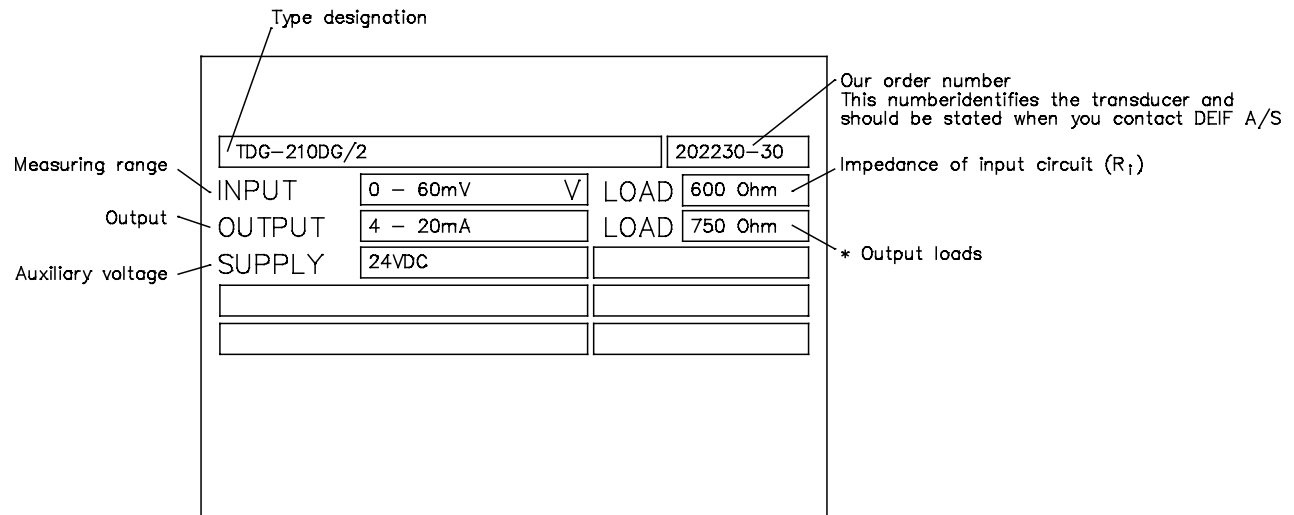


Installation instruction
Transducer TDG-210DG/2
 1159040018C (UK)



Description

TDG-210DG/2 is an insulation transducer which gives galvanic separation between the input and the output signal.



* Output loads:

By voltage output the load must not drop below the stated resistance. By current output the load must not exceed the stated resistance. (The output is internally protected against overload).

Installation instruction

To ensure a long lifetime please note the following:

The distance between the mounted transducers (or other equipment) must not be less than 10 mm (30 mm is recommended).

The DIN rail must always be in horizontal position, never in vertical, when several transducers are mounted on the same rail.

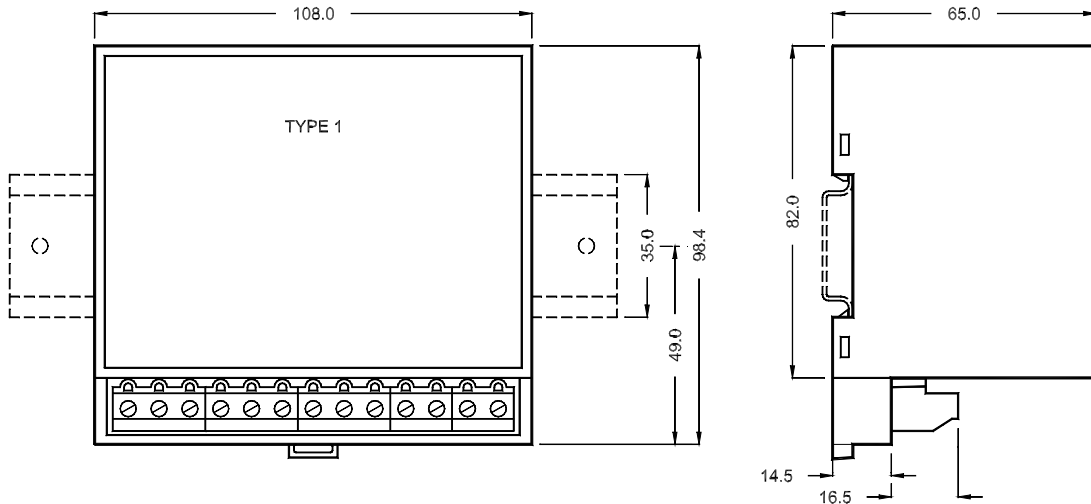
The transducer must be situated on a well-aerated place to ensure an optimum function and lifetime.



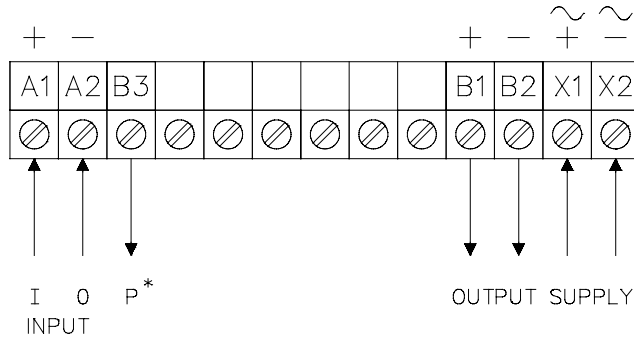
DEIF A/S
 Frisenborgvej 33, DK-7800 Skive
 Denmark

Tel: (+45) 9614 9614
 Fax: (+45) 9614 9615
 E-mail: deif@deif.com

Mechanical drawing:



Connection diagram



* OPTION
EXTERNAL
POTENTIOMETER

Recommended fuse: 2A

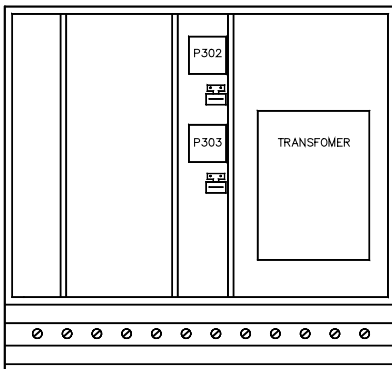
Normal reservations are to be made for protection against ESD.

Terminal B3 is a 5V DC output (max. load 2mA) used for connection of an external potentiometer. E.g. used in connection with remote indication of position.

Adjustment instruction

If the transducer is supplied with adjustment of delay/output these are adjusted by means of potmeter P302/P303.

At delivery delay (P302) is set to be at minimum and output is set to be nominal (100%).



P302: Delay adjustment range 0.5..10 sec. or 0.1..1 sec.*

P303: Output adjustment range 50..150% of nominal output.

* Factory settings