

# Rudder angle indicator

Type TRI-1

4921250017D



- *3 large, easily-read scales*
- *Protection: IP66*
- *Robust construction*
- *Illumination with/without built-in dimmer*

## Rudder angle indicator type TRI-1, with three scale sections

The rudder angle indicator type TRI-1 with 3 scales consists of a robust moving coil system equipped with 3 pointers mounted on a common shaft. The indicator is housed in a matt black, waterproof case for deckhead suspension. Due to the 3 large scales quick and easy read-out of the rudder angle from any angle up to 250° possible. TRI-1 is CE classified for marine, residential, commercial and light industry plus industrial environment.

### Technical specifications

Standard measuring ranges Voltage			Standard measuring ranges Current		
Lowest range	Highest range	Load	Lowest range	Highest range	Load
0...1V DC -0.5...0...0.5V DC	0...100V DC -100...0...100V DC	0.7kΩ/V 1.4kΩ/V	0...1mA DC -1...0...1mA DC	0...100mA DC -100...0...100mA DC	2.0V 1.0V
Not 4...20mA					

Accuracy: Class 1.5, (-10...15...30...55°C), to EN 60051 and IEC 51.

Scale types: 1) White scale base. Figures, division lines, pointer: Black.  
2) Black scale base. Figures, division lines, pointer: Yellow.  
On both types starboard is marked with a green section (to the right), port with a red section (to the left).

Standard scales	35...0...35°	45...0...45°	60...0...60°	70...0...70°	Others on request
-----------------	--------------	--------------	--------------	--------------	-------------------

Illumination: Available with or without built-in dimmer. Illuminant: 2 filament bulbs type 24..30V AC/DC, 30mA. A light guide ensures even light distribution. White scales are translucent. On black scales figures and division lines are transilluminated. The pointer position is clearly indicated due to a transilluminated yellow section underneath the division lines.

Aux. voltage (illumination): With built-in dimmer: 24V AC/DC ±25% From ext. dimmer: 0..30V AC/DC.

Connection: Built-in screw terminals.  
Cable dimensions: multi-stranded: 2.5 mm<sup>2</sup>, single-stranded: 4 mm<sup>2</sup>.  
Cable entry via 1 PG13.5 cable gland. Cable diameter: 12.5 mm.

Test voltage: 2kV - 50Hz - 1 min.

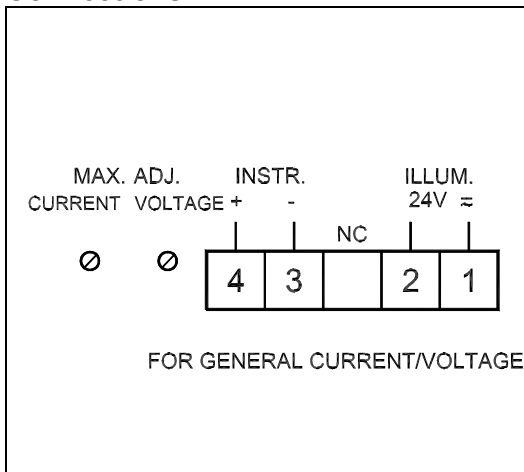
Magnetic radiation: None.

Temperature: -10...55°C (nominal). -25...60°C (operating), -25...65°C (storage).

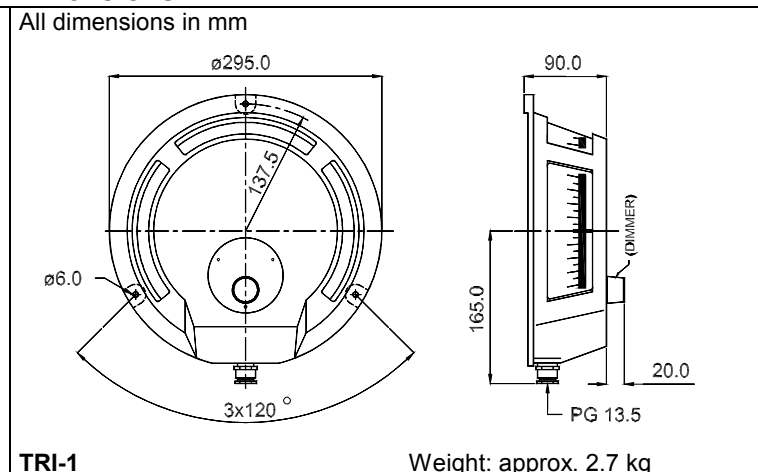
Materials: Surface finish: matt black polyurethane. Plastic housing: polyurethane.  
Fire retarding and self-extinguishing to UL94 (V0).  
All metal parts made out of corrosion-resistant materials.

Protection: IP66, to IEC 529 and EN 60529.

### Connections



### Dimensions



### Order specifications

Example:	Type	Scale	Scale type	Measuring range	(Dimmer)
	TRI-1	45...0...45°	Black	0...20mA	With dimmer

Due to our continuous development we reserve the right to supply equipment which may vary from the described.



DEIF A/S, Frisenborgvej 33  
DK-7800 Skive, Denmark

Tel.: +45 9614 9614, Fax: +45 9614 9615  
E-mail: deif@deif.com, URL: www.deif.com

