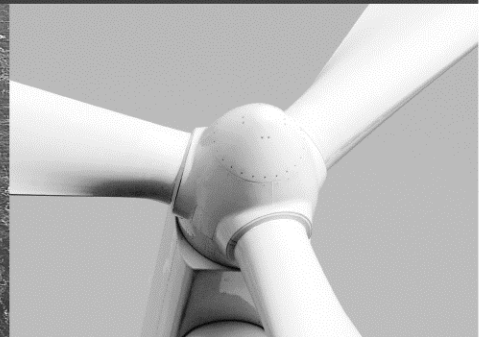
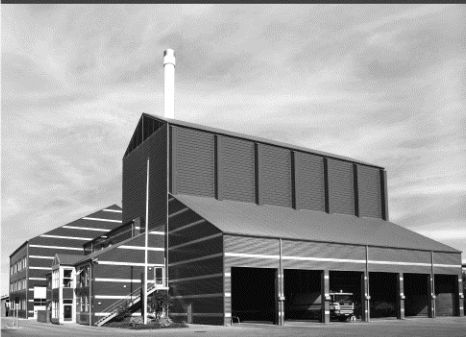




-power in control



## DATA SHEET



### Remote position indicators, Type PIR25-1, PIR25-2

- PIR25-2: "round" (black focusing screen)
- PIR25-1: "square" (white focusing screen)
- Indication of circuit breaker position
- Indication of tie breaker position



DEIF A/S · Frisenborgvej 33 · DK-7800 Skive  
Tel.: +45 9614 9614 · Fax: +45 9614 9615  
info@deif.com · www.deif.com

Document no.: 4921210033F

**Application**

The position indicators types PIR25-1 and PIR25-2 provide remote indication of the position of switches, circuit breakers, solenoid valves, relays, etc. PIR25-1 and PIR25-2 are CE-marked for residential, commercial, light industry plus industrial use.

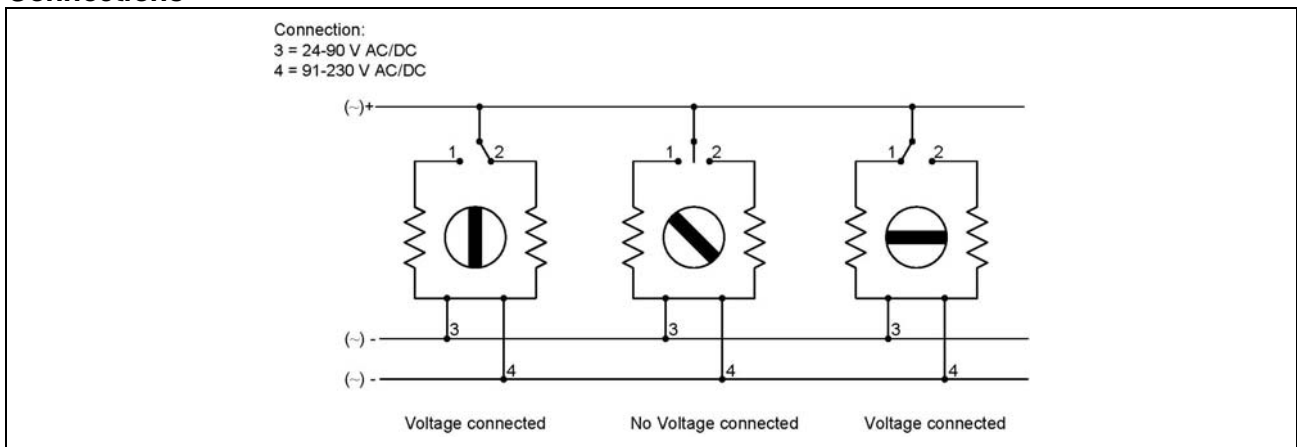
PIR25-1 and PIR25-2 can be used in mimic diagrams or control panels.

The indicator disc is controlled by a moving magnet system. When no voltage is connected, the indicator disc stays in a diagonal position. When voltage is connected to one coil, the indicator disc rotates clockwise. When the other coil is activated, the indicator disc rotates counter-clockwise.

**Technical specifications**

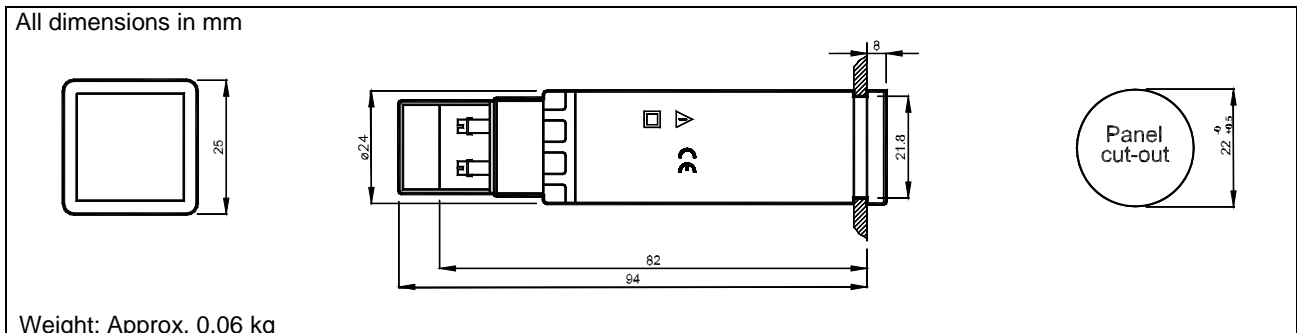
Nominal voltages	24-48-110-230V AC/DC (max. working voltage 300 V)
Consumption at nominal voltages	1.5 VA
Materials	Polycarbonate UL94VO
Protection	IP54
Test voltage	To EN 61010-1
EMC	To EN 50081-1/2 + EN 50082-1/2
Connections	Screw, max. 1.5 mm <sup>2</sup> (IP 00)

**Connections**



Note: When PIR25 is applied for supply 91-230V AC/DC, other indicators (lamps) between terminals 1 + 4 and 2 + 4 must never be connected.

**Dimensions**



**Available variants**

Item no.	Variant no.	Variant description
2961850010	01	PIR25 all voltages

**Order specifications**

Variants:

Mandatory information			Additional options to the standard variant
Item no.	Type	Variant no.	Option

Example:

Mandatory information			Additional options to the standard variant
Item no.	Type	Variant no.	Option
2961850010-01	PIR25-2	01	No options available

Due to our continuous development we reserve the right to supply equipment which may vary from the described.



**DEIF A/S**, Frisenborgvej 33  
DK-7800 Skive, Denmark

Tel.: +45 9614 9614, Fax: +45 9614 9615  
E-mail: [deif@deif.com](mailto:deif@deif.com), URL: [www.deif.com](http://www.deif.com)

