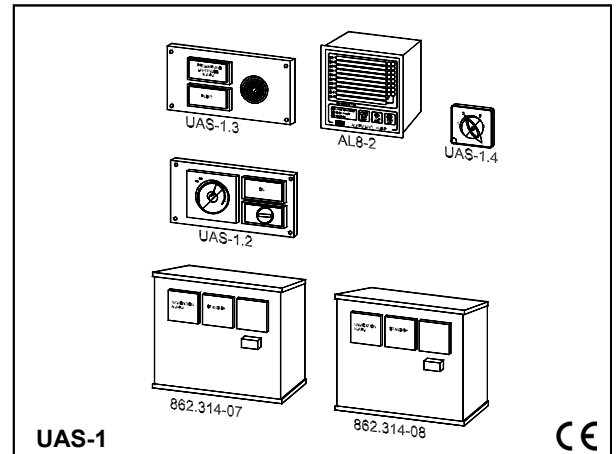


Unfitness and Alarm System

4921250041D

Type UAS-1

- **One-man bridge alarm system**
- **Easy to install**
- **User-friendly operation**
- **Handling of 38 binary alarm signals received from bridge equipment**
- **Reset of system via bridge equipment**
- **Call of up to 4 stand-by officers**



Application

The navigator's unfitness and alarm system type UAS-1 is a combined safety and binary alarm system, ensuring alarm release in case the navigator on duty is taken ill or is absent. At intervals of up to 15 min. the system must be reset. If not reset, an alarm sequence is initiated, resulting in prewarning signals, then subsequently an audible alarm in the cabin of the stand-by officer and eventually release of a general alarm.

Configuration

The navigator's unfitness and alarm system consists of:

AL8-2/M Alarm panel (master) (1 unit)

Registration of 1-8 binary alarm signals, with 1 output for activation of alarm extension system in the navigators' cabins and 1 output for transmission of internal fault. Location: bridge console. 1-2 channels are used for the calling system, 3-8 may be connected to other devices. May be programmed to N/O or N/C input, cable supervision with/without time delay.

AL8-2/S Alarm panel (slave) (0-4 units)

Connection of additional alarm channels. 8 additional channels per unit available. To be connected to AL8-2/M. 1 output for transmission of internal fault. Location: bridge console. All 8 channels may be connected to other devices. May be programmed to N/O or N/C input, cable supervision with/without time delay.

UAS-1.1 Prewarning control box (1 unit)

A combined junction box and timer for relaying signal to the UAS-1.3. Location: as required. 2 timers: Delay of buzzer signal and generating of flash signal in panels type UAS-1.3.

UAS-1.2 Timer unit (1 unit)

The dead-man alarm timer unit in Captain's office. 1 selector switch: (key-operated) for activation/deactivation of the dead-man alarm system. 1 timer: for delay of prewarning signals for type UAS-1.3 (normally set to 15 min.).

UAS-1.3 Prewarning panel (1-n units)

Visual and audial prewarning signals and reset push-button. Location: bridge. 1 push-button: "RESET" for reset of prewarning alarm. 1 lamp: "Prewarning unfitness alarm". Indication. 1 buzzer: Audible indication of prewarning.

UAS-1.4 Stand-by selector switch (1 unit)

Selection of stand-by officer. Up to 4 officers can be connected. Location: bridge console. 1 rotary switch for selection of the officer on stand-by duty.

869.62 Calling system relay box (1 unit)

Relaying of alarms to public spaces and officer's calling panels and to horn(s) in alleyway. Location: bridge console or accommodation. 1 relay logic: for relaying of alarm signal to public space panels and to the calling panel of the officer on duty. 3 min. alarm: for activation of horn(s) in alleyway(s).

862.314-07 Officer's calling panel (1-4 units)

Visual and audial call of stand-by officer. Location: officers' cabin. 2 lamps: a. "Navigation Alarm", b. "Stand-by". 1 buzzer: Activated, if the system has not been duly reset. 1 push-button: "RESET" for reset of the lamp and buzzer signal.

862.314-08 Public space panel (n units)

Visual and audial call of officers with local buzzer reset. Location: staff room, mess. 1 lamp: "Navigation alarm". 1 buzzer: Activated if the system has not been duly reset. 1 pushbutton: Local reset of buzzer.

849.041 Power supply unit (1 unit)

Power supply with back-up source and activation of output relay upon power failure. For base mounting inside a panel. Location: as required.

Alarm sequence

1. System is activated on the timer unit in the Captain's office. Reset within 15 min. on UAS-1.3.
2. Lamps mrk. "PREWARN" of panel(s) type UAS-1.3 on the bridge start flashing. To be reset within 15 sec. on UAS-1.3.
3. Buzzer of the prewarning panel(s) sounds and the timer for alarm on the alarm panel type AL8-2/M is started. To be reset within 15 sec. on UAS-1.3.
4. Alarm relay of AL8-2/M is activated and the second timer for transfer of alarm to stand-by officer is started. Local bridge alarm sounds. To be reset within 15 sec. on UAS-1.3 and AL8-2/M.
5. Relay "B" of alarm panel type AL8-2/M is activated. Buzzers in the stand-by officers' calling panels type 862.314-07 plus in all public space panels type 862.314-08 are released. Lamps mrk. "Navigation Alarm" in all panels start flashing. To be reset within 3 min. on UAS-1.3 and AL8-2/M.
6. Release of general alarm (e.g. release of horns in alleyways etc.). Reset on UAS-1.3 and AL8-2/M.

Type UAS-1

Technical specifications

Alarm inputs (AL8): Max. signal, voltage/current:
6V (open contact), 6mA (closed contact)

Alarm outputs (AL8):

A, B and horn: relay output, 1 change-over switch each
Contact rating: 250V-2A-400W(AC).250V-1A-50W(DC)

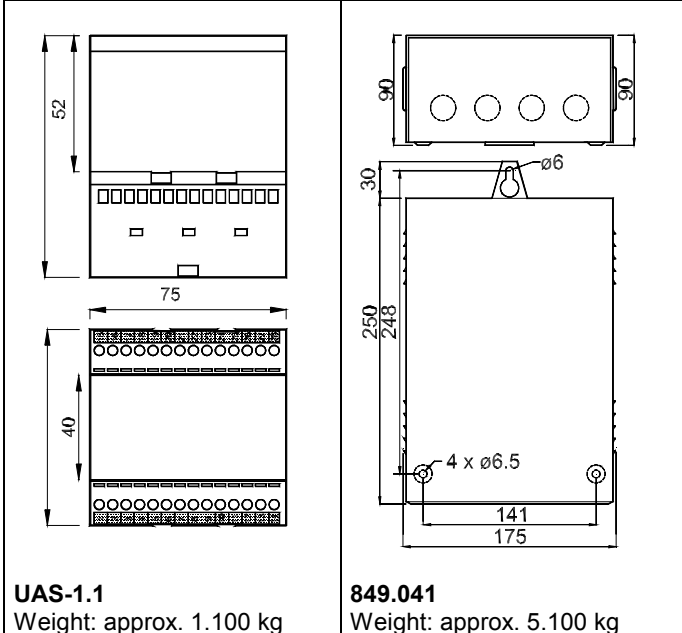
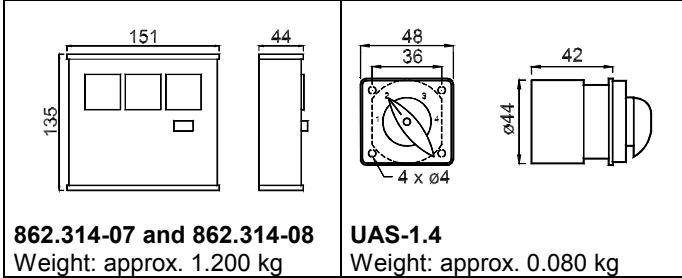
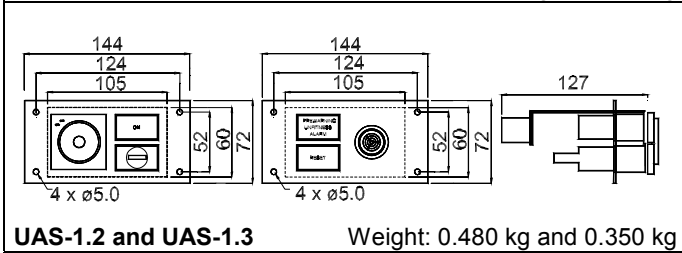
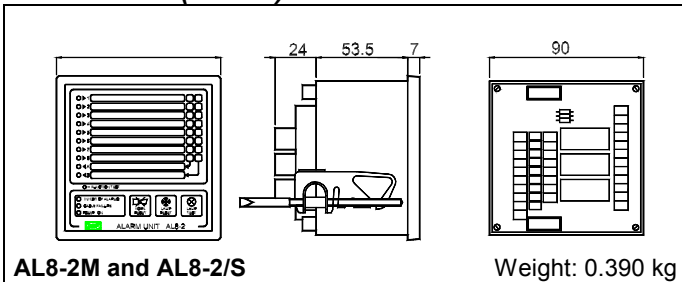
Voltage supply (849.041):

Primary supply: 110V AC or 230V AC +/-20%, 50/60Hz
Back-up supply: 24V DC -25/+30%
Power consumption: max. 70VA

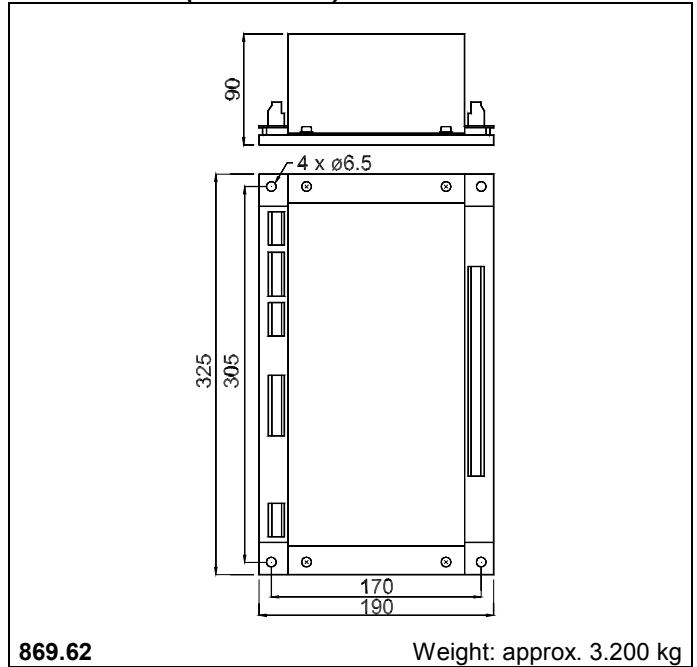
Temperature:

-10...55°C (nominal)
-25...70°C (operating)
-40...70°C (storage)

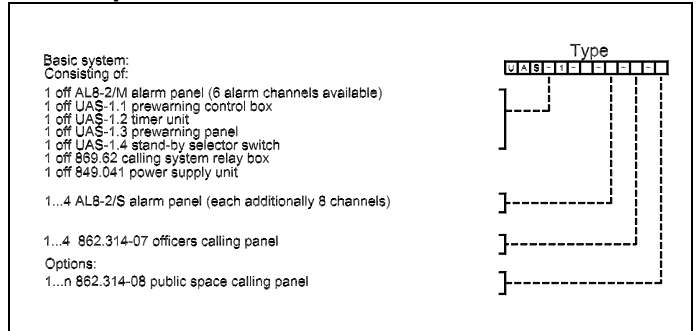
Dimensions (in mm)



Dimensions (continued)



Order specifications



Due to our continuous development we reserve the right to supply equipment which may vary from the described.



DEIF A/S, Frisenborgvej 33
DK-7800 Skive, Denmark

Tel.: +45 9614 9614, Fax: +45 9614 9615

E-mail: deif@deif.com, URL: www.deif.com

