

Type Unimatic

Unimatic

Power Management System

4921240180A

- **Power Management System**
- **Includes all necessary generator protective functions**
- **Synchronising, load sharing and start/stop functions**
- **Suitable for upgrading existing applications**
- **Complete documentation package**

Application

The Unimatic power management system is designed for control and protection of up to four generators in the following applications:

- 2-4 diesel generators
- 2-3 diesel generators + 1 shaft generator
- 2-3 diesel generators + 1 shaft generator + 1 tie breaker

The above-mentioned configurations are basic standard versions. Customized engineered-to-specification versions are available on request.

System Components

The system consists of various DEIF *uni-line* components, DEIF watt transducers, a DEIF electronic potentiometer and an Omron PLC.

uni-line Components

- Synchroniser FAS-113DG
- Load sharing unit LSU-113DG
- Paralleling relay HAS-111
- Overcurrent relay RMC-132D

Other DEIF Components

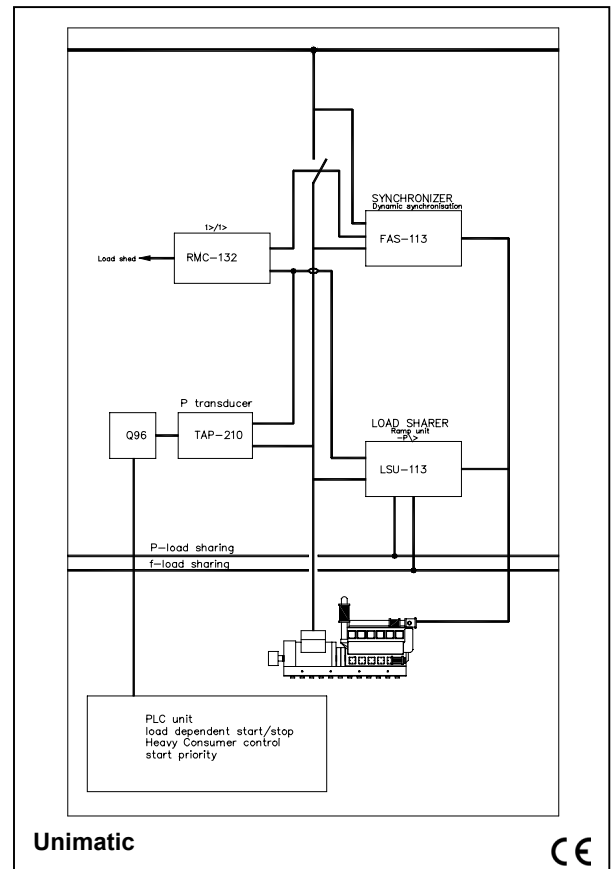
- Watt transducer TAP-210DG
- Electronic potentiometer EPN-110

PLC

System	PLC
2DG	Omron CPM-1A
3DG	
2DG + 1SG	
3DG + 1SG	
2DG + 1SG + 1TB	
4DG	Omron CQM-1
3DG + 1SG 1TB	

Documentation

The system is delivered with a complete documentation package meeting the requirements of the classification



societies. This means that the installation can be approved without further documentation.

The documentation package comprises:

- Flow charts
- PLC I/O list
- Wiring diagramme
- Approvals
- User/installation manual

Power Management

Unimatic starts and stops generators in different start/stop priorities, with load-dependent start/stop. The load sharing function is symmetrical between all started generators.

Unimatic can perform conditional connection of three heavy consumers and tripping of two non-essential load groups.

The system is able to synchronise the diesel generators to the shaft generator or to parallel more diesel generators. De-loading of the generator before opening the generator breaker is also possible.

The system offers over-current and reverse-power generator protection.

Type: *Unimatic*

When a shaft generator is part of the system, short-time paralleling with transfer of load to/from the shaft generator is possible. The generator de-load function, as well as generator protection, can also be carried out on the shaft generator before opening the breaker.

Technical specifications

For further information, please see the following data sheets and manuals (the below form can be used for ordering the documentation from DEIF):

- Synchroniser FAS-113DG data sheet
- Load sharing unit LSU-113DG data sheet
- Paralleling relay HAS-111 data sheet
- Overcurrent relay RMC-132D data sheet
- Watt transducer TAP-210DG data sheet
- Electronic potentiometer EPN-110 data sheet
- Unimatic Installation Manual

Request for technical specifications

Please tick off (✓) the documents you wish to order and send the page to DEIF, fax number **+45 9614 9615**. You will receive the documentation as soon as possible.

- Synchroniser FAS-113DG data sheet
- Load sharing unit LSU-113DG data sheet
- Paralleling relay HAS-111 data sheet
- Overcurrent relay RMC-132D data sheet
- Watt transducer TAP-210DG data sheet
- Electronic potentiometer EPN-110 data sheet
- Unimatic Installation Manual including PLC documentation etc.

The documentation should be forwarded to:

Company name:

Address:

Zip-code/city:

Country:

Att.:

Due to our continuous development we reserve the right to supply equipment which may vary from the described.



DEIF A/S, Frisenborgvej 33
DK-7800 Skive, Denmark

Tel.: +45 9614 9614, Fax: +45 9614 9615
E-mail: deif@deif.com, URL: www.deif.com

