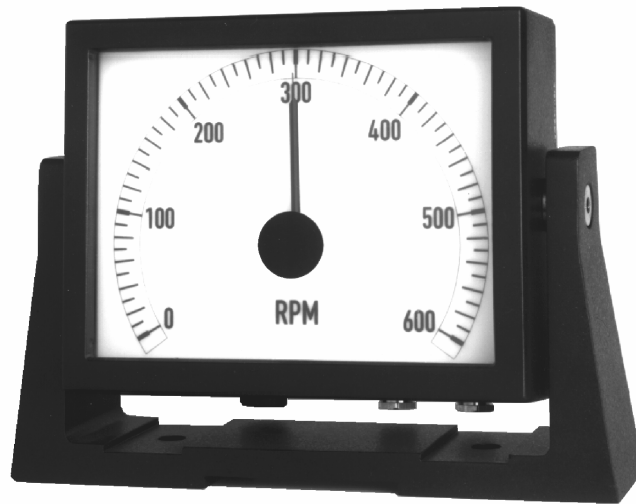


# Bridge wing indicator

Type VTR-5

4921250005D



- *Protection: IP66*
- *Robust construction*
- *LED illumination (long life) with built-in dimmer*
- *Seperate pointer illumination*
- *Large, easily-read scale*
- *Approved according to the Marine Equipment Directive*

## Bridge wing indicator type VTR-5

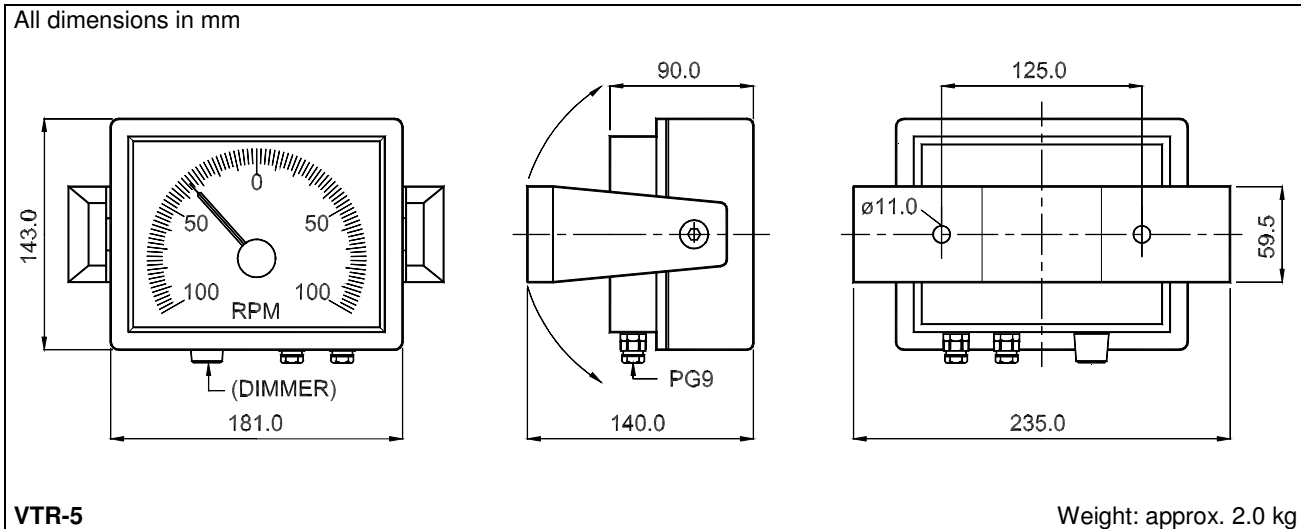
The VTR-5 consists of a 240° moving coil system in a waterproof housing, which is equipped with a large, easily-read scale and special front glass counteracting reflections. The instrument is equipped with a clamp for base mounting. The VTR-5 is CE classified for marine, residential, commercial and light industry plus industrial environment.

### Technical specifications

Standard measuring ranges Voltage			Standard measuring ranges Current		
Lowest range	Highest range	Load	Lowest range	Highest range	Load
0...1V DC	0...300V DC	0.5kΩ/V	0...1mA DC	0...100mA DC	0.6V
-0.5...0...0.5V DC	-300...0...300V DC	1kΩ/V	-1...0...1mA DC	-100...0...100mA DC	0.3V
0...10V AC	0...300V AC	0.45kΩ/V	0...1mA AC	0...100mA AC	1.4V

Further measuring range:	4...20mA.
Accuracy:	Class 1.5 (-10...15...30...55°C) to EN 60051 and IEC 51.
Scale types:	1) White scale base: Figures, division lines, standard pointer: black. Indirect illumination. 2) Black scale base: Figures, division lines, triangular pointer: yellow. Direct pointer illumination.
Illumination:	LED illumination with built-in dimmer.
Aux. voltage (Illumination):	24V AC/DC ±25%. Consumption: 80mA/120mA for direct pointer illum.
Connection:	Built-in screw terminals. Cable dimensions: multi-stranded: 2.5 mm <sup>2</sup> , single-stranded: 4 mm <sup>2</sup> . Cable entry via 2 PG 9 glands. Cable diameter: 7.5 mm.
Test voltage:	2kV - 50Hz - 1 min.
Magnetic radiation:	None.
Ambient temperature:	-10...55°C (nominal), -25...60°C (operating), -25...65°C (storage).
Materials:	Surface finish: matt black polyurethane. Plastic housing: polyurethane. Fire retarding and self-extinguishing to UL94 (V0). All metal parts made out of corrosion-resistant materials.
Protection:	IP66, to EN 60529 and IEC 529.

### Dimensions



### Order specifications

Example:	Type	Scale	Scale type	Measuring range
	VTR-5	0...250 rpm	Black	0...20mA

Due to our continuous development we reserve the right to supply equipment which may vary from the described.



DEIF A/S, Frisenborgvej 33  
DK-7800 Skive, Denmark

Tel.: +45 9614 9614, Fax: +45 9614 9615  
E-mail: deif@deif.com, URL: www.deif.com

