

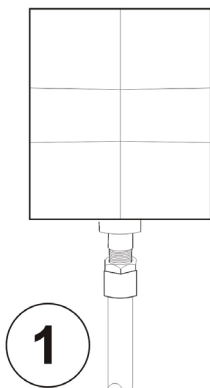
## WSS/WSS-L – Installation note

### WSS/WSS-L 安装说明

#### IMPORTANT:

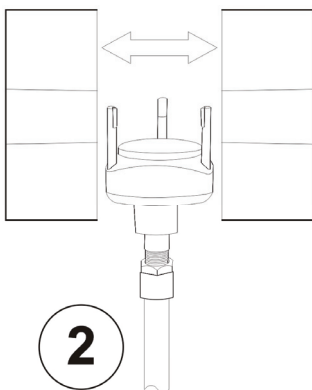
Do not remove the white protection cap before the WSS is installed in the masthead!

在 WSS 安装到桅杆顶上之前请不要移动白色的保护盖



**1.**  
Mount the sensor in the mast!  
The arrow on top and bottom of the protection cap must point AHEAD!

将传感器安装在桅杆上!  
保护盖顶部与底部箭头所指示的方向应指向船艏方向



**2.**  
Remove the tape around the protection cap and remove the protection cap.

拆除保护盖上的胶带后拆开保护盖

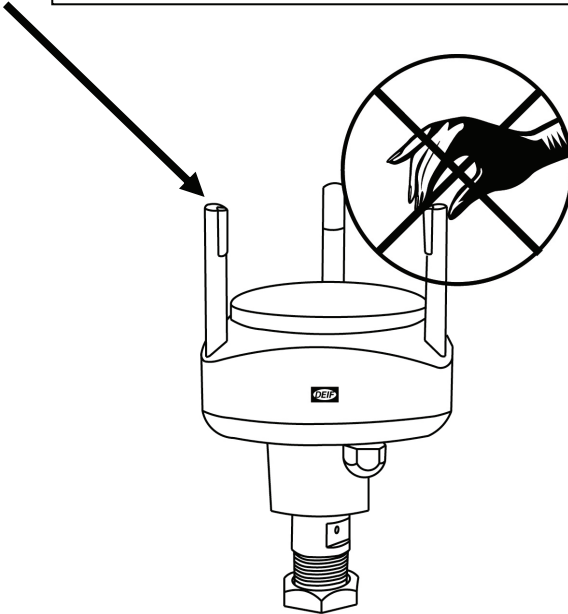
**Attention:**

注意



**Do not hit, squeeze or try to remove the 3 black rubber hoods.**

禁止敲击、挤压或试图移动这三个黑色橡胶块！



**ESD Precaution!**

ESD 预防



Sufficient care must be taken to protect the terminals against static discharges during installation.

在连接或断开传感器(WSS)电缆线之前，请切断接口盒(WSI)的电源。