

Changing the default settings

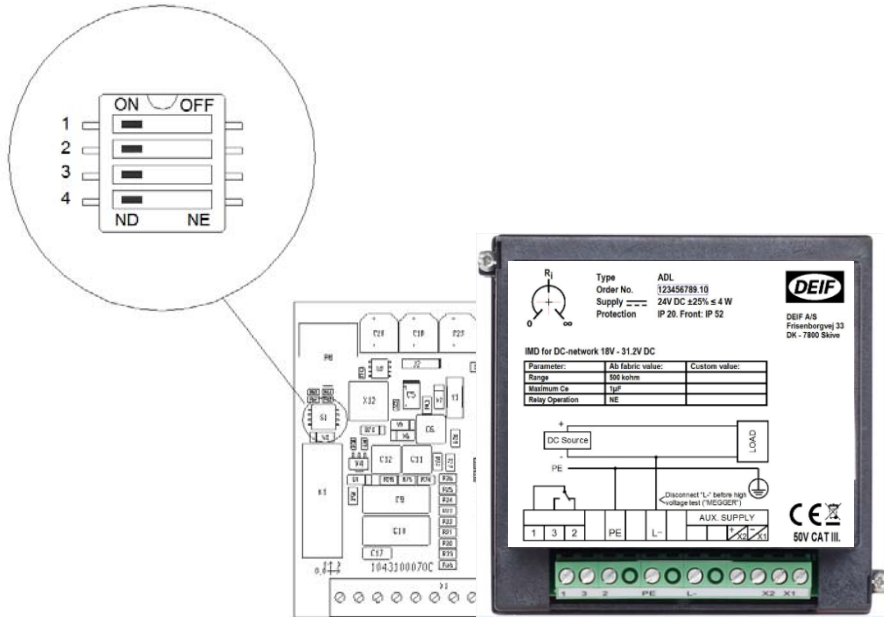
The relay contact can be configured to function either as a normally energised contact (NE) or as a normally de-energised contact (ND). (The original configuration is marked on the label).

Also the maximum leakage capacitance can be changed; dip switch settings are shown in Fig. 2. Note that this will also change the measuring time.

Max. leakage capacitance	Variant no.	Dip switch 1	Dip switch 2	Dip switch 3
1µF	01, 02, 03	N/A	On	N/A
20µF	01, 02, 03	N/A	Off	N/A
1µF	04, 05, 06	Off	Off	Off
2µF	04, 05, 06	On	Off	Off
5µF	04, 05, 06	Off	On	Off
10µF	04, 05, 06	On	On	Off
20µF	04, 05, 06	Off	Off	On
50µF	04, 05, 06	On	Off	On
100µF	04, 05, 06	Off	On	On
120µF/custom	04, 05, 06	On	On	On

Fig 2.

The illustrations below show the location on the PCB of the S1 switch for selection of either ND or NE relay function (dip switch 4). The PCB is located under the rear cover.



IMPORTANT - use electrostatic discharge protection!

Sufficient care must be taken to protect the PCB against static discharges during the configuration. Once the unit is installed and connected, these precautions are no longer necessary.



-power in control



QUICK GUIDE



Insulation monitor, ADL-111Q96

Refer to www.deif.com for detailed information



DEIF A/S - Frisenborgvej 33 - DK-7800 Skive
Tel.: +45 9614 9614 - Fax: +45 9614 9615
info@deif.com - www.deif.com


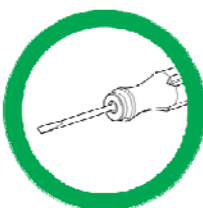
Document no.: 4189330020A

Mounting instructions

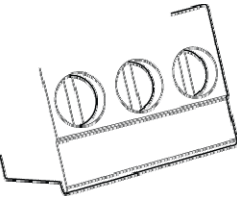
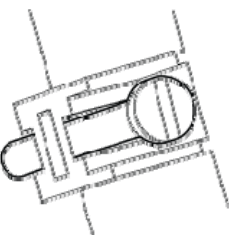
To ensure correct mounting, and to obtain the intended functionality of your product, DEIF A/S recommends that you read these guidelines carefully before you mount the product. Use the correct tools for mounting, and do not exceed the recommended tightening torques.

DEIF A/S warranty will be lost for products that are damaged because of incorrect tools used for mounting, or because of excessive tightening of the terminals and screws.

Tools

	Do not use electric screwdrivers
	Only use two fingers on the screwdriver

Tightening torques

	For terminals: Max. 0.5 Nm
	For mounting screws: Max. 0.5 Nm

Installation

Verification: Verify that the instrument configuration is according to application.

Aux. supply: Connect terminals to correct voltage.

Measuring circuit: Connect PE to ground and L- to the positive or negative terminal of the monitored network.

Warning: If a high-voltage "MEGGER" is used, the ADL must be disconnected before testing is carried out. Omitting this may result in damage to the ADL.

Test

An instrument self-test can be carried out according to IEC 61557-8 as shown in *Fig. 1* below. Test resistor = 1 k Ω /0.25 W (recommended value).

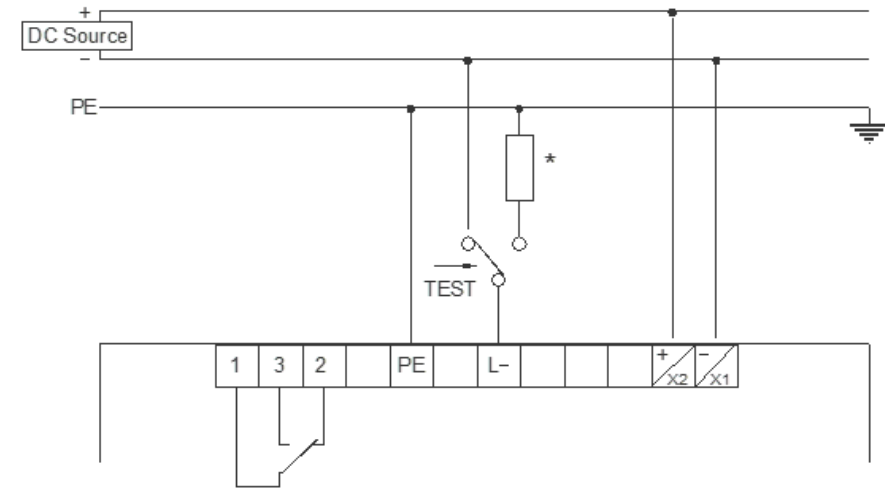


Fig. 1

Adjustment of the set point

A new feature in variants 04, 05 and 06 makes accurate setting of set point much easier. When the set point potentiometer at the rear of the instrument is turned, the insulation monitor automatically goes to meter indication of set point during setting and power-up.

As soon as the set point potentiometer is turned, the insulation monitor enters setting mode. This is indicated by the fast flashing of the SUPERVISION LED, and by the meter pointer showing the set point setting instead of actual measurement.

When the desired set point level is reached, the product automatically returns to normal measuring mode after a few seconds, by which the SUPERVISION LED stops flashing fast, and the meter pointer returns to normal reading.

Set point test/control: During power-up, for a few seconds, the meter pointer shows the actual set point setting while the SUPERVISION LED is flashing fast. This function enables a test function for fast control of settings from the front of the switchboard.