

OMRON Power supplies S8VK



Main features

Power Boost function

The Power Boost function gives up to 150 % boost in current and will help ensure the start of difficult loads. The function can boost current for up to 10 seconds.

Low voltage detection output

The low voltage detection output monitors the voltage of the output terminal of the power supply. ***

*** Only S8VK-S24024 and S8VK-S48024.

Parallel operation

To increase the output current, the power supplies can be connected in parallel operation.

Side-by-side mounting

Installation area can be reduced by the side-by-side mounting.

Coated

All models are coated for better resistance to the environment, protecting against salt damage, high temperatures and humidity.

Redundancy units

Redundancy units for applications where redundancy is needed, can be purchased separate at DEIF.

General description

OMRON * S8VK power supplies are high quality, compact and have a reliable switch mode. Available for single-phase or three-phase in a wide range of models. All models are designed for easy click mounting on DIN rail and give full power in a wide ambient temperature range.

Marine approvals for DNV-GL and Lloyd's make the power supplies suitable for applications at sea.

Push-In Plus terminals reduce both time and work needed for installation, and require no additional tools when installing. **

** Available only on the S8VK-S models.

Range of power supplies

The following power supplies and redundancy units are available from DEIF.

Type	Output	Power rating	OMRON model	DEIF item number
Power supplies	12 V DC, 4.5 A	60 W	S8VK-G06012	2963500020.01
	24 V DC, 5 A	120 W	S8VK-S12024	2963500020.02
	24 V DC, 10 A	240 W	S8VK-S24024	2963500020.03
	24 V DC, 20 A	480 W	S8VK-S48024	2963500020.04
	24 V DC, 20 A	480 W	S8VK-T48024 (3-phase)	2963500020.05
	24 V DC, 40 A	960 W	S8VK-T96024 (3-phase)	2963500020.06
Redundancy units	10 A	120 W	S8VK-R10	2963500020.07
	20 A	240 W	S8VK-R20	2963500020.08

* OMRON is a registered trademark of OMRON Corporation Industrial Automation Company.

OMRON Power supplies S8VK

Technical specifications

Input

- 4.5 A: 100 to 240 V AC, 50/60 Hz, 90 to 350 V DC
- 5 A: 85 to 264 V AC, 50/60 Hz, 90 to 350 V DC
- 10 A: 85 to 264 V AC, 50/60 Hz, 90 to 350 V DC
- 20 A: 85 to 264 V AC, 50/60 Hz, 90 to 350 V DC
- 20 A (3ph): 380 to 480 V AC, 50/60 Hz, 450 to 600 V DC
- 40 A (3ph): 380 to 480 V AC, 50/60 Hz

Environment

- Altitude: 0 to 3000 m *
- Operating temperature: -40 °C to + 70 °C
- Storage temperature: -40 °C to + 85 °C
- Humidity: 95 % RH

* Only S8VK-S models

Approvals

- Lloyd's
- DNV-GL *
- UL
- ATEX *
- [Link to OMRON certificate database](#) **

* Only S8VK-S models

Internal protections

- Overload protection
- Overvoltage protection

OMRON documentation

More information about the power supplies and the redundancy units can be found at OMRON:

[SV8K-G models](#) **

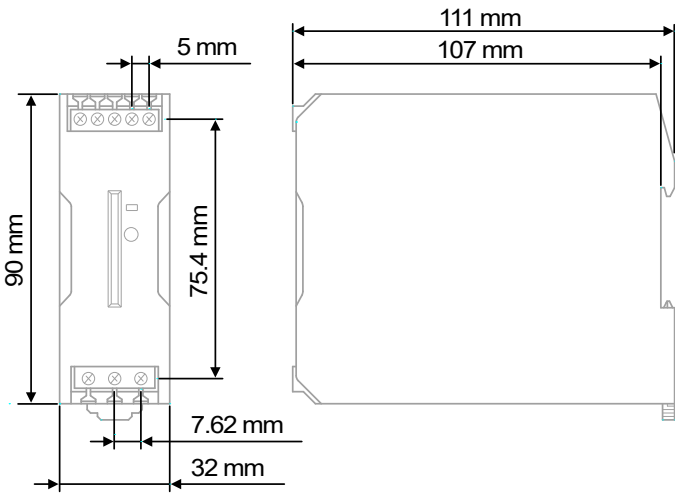
[S8VK-S models](#) **

[S8VK-T models](#) **

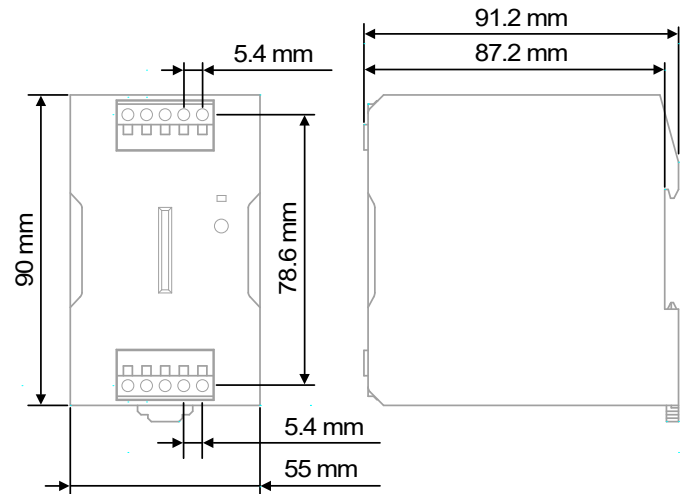
[S8VK-R models](#) **

** Externally linked content is maintained by OMRON.

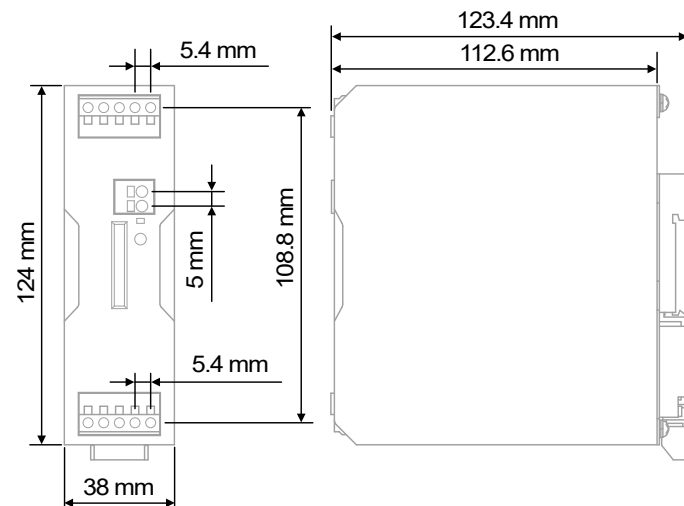
4.5 A (60 W) - S8VK-G06012



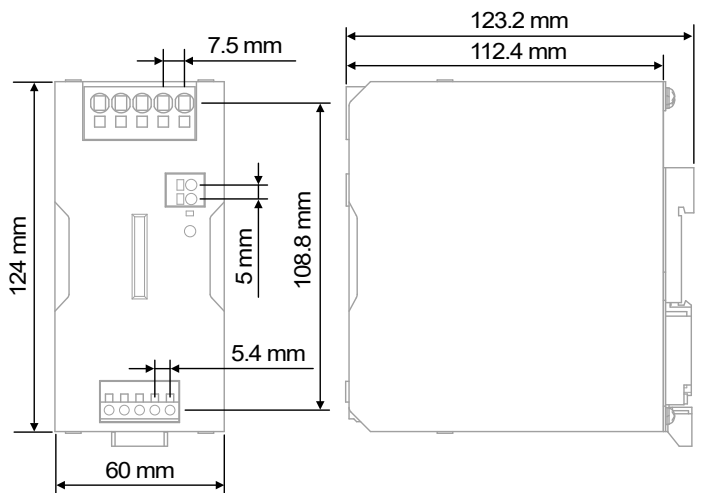
5 A (120 W) - S8VK-S12024



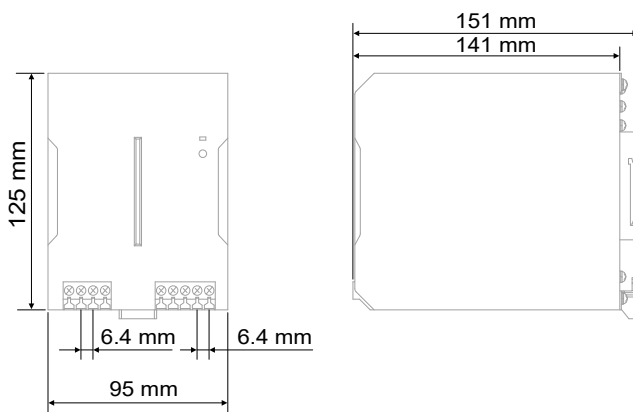
10 A (240 W) - S8VK-S24024



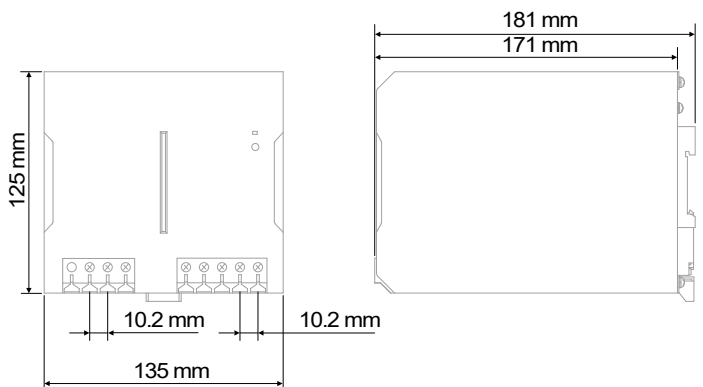
20 A (480 W) - S8VK-S48024



20 A 3-phase (480 W) - S8VK-T48024



40 A 3-phase (960 W) - S8VK-T96024



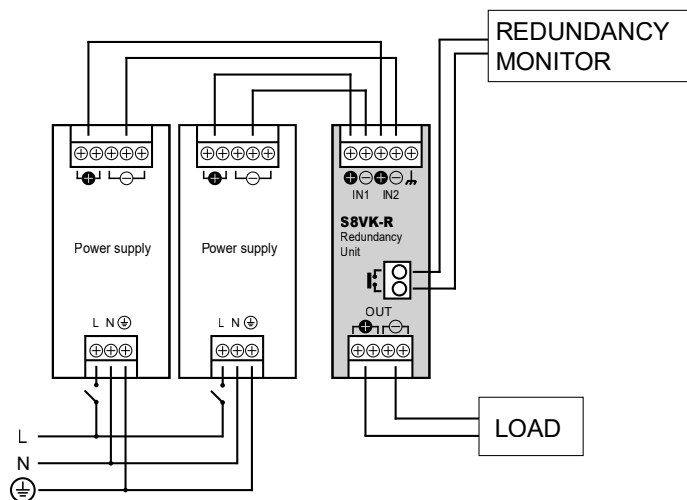
OMRON Power supplies S8VK

Redundancy units

Redundancy units

For critical applications that require absolute zero downtime, the redundancy unit provides a reliable back up system for your application whether on land or sea.

Example wiring



Features

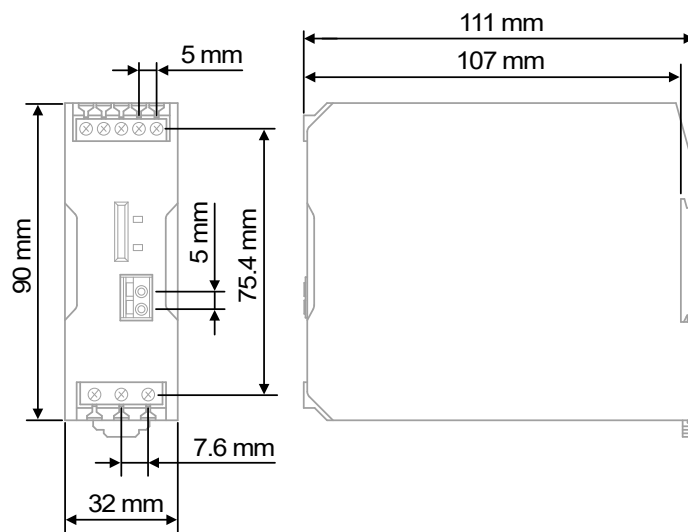
- LED for redundancy OK
- Signal output for failure detection of power supplies.
- Double the power supplies lifetime by adjusting the power supply voltage to light up the Balance LED.

Specifications

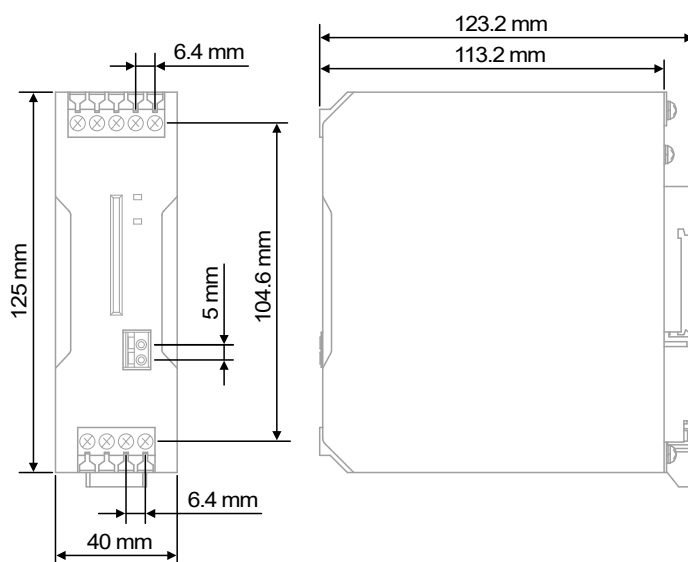
- Input
 - 10 A: 5 to 30 V DC
 - 20 A: 10 to 60 V DC
- Operating temperature: -40 °C to + 70 °C
- Storage temperature: -40 °C to + 85 °C
- Humidity: 95 % RH
- UL approved
- Lloyd's approved

Dimensions

10 A Redundancy unit - SV8K-R10



20 A Redundancy unit - SV8K-R20



For more information, please contact:

DEIF A/S · Frisenborgvej 33 · DK-7800 Skive · Denmark
 Tel.: +45 9614 9614 · Fax: +45 9614 9615 · info@deif.com · www.deif.com