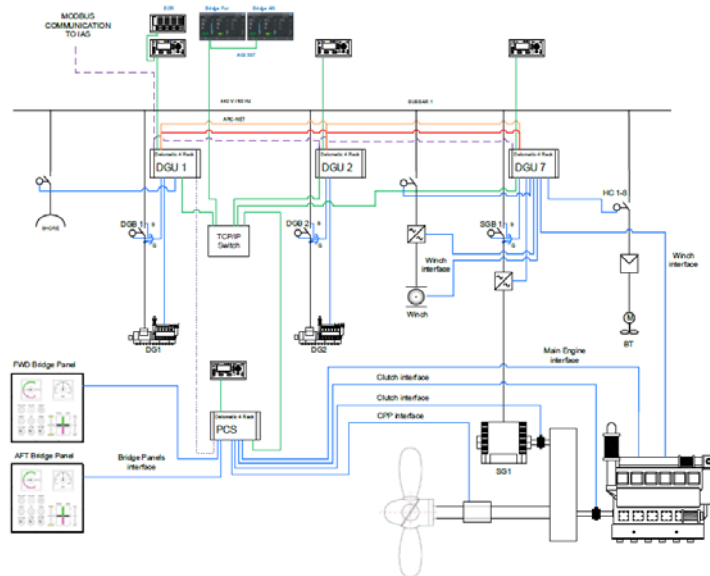


DEIF Propulsion Control System (PCS) is a flexible advanced controller, which is suitable for various ships and propeller types. DEIF PCS interfaces with the engines, propellers, clutches and gearbox and is controlling speed, pitch and clutch setup. The PCS can be individual configured with various control levels, buttons and displays depending on the application requirement.



PCS features

- ▶ Easy installation, simple wiring
- ▶ Fully customisable to suit different requirements
- ▶ Energy optimisation
- ▶ Up to four workstations
- ▶ All relevant information on one screen
- ▶ Available for retrofits
- ▶ Load Control to avoid overload
- ▶ Fully integrated Energy Management package
- ▶ 1 button mode setup
- ▶ CANbus between workstation and PCS
- ▶ Binary or analog I/O's
- ▶ Integration with PMS and IAMCS
- ▶ Control of pitch, RPM, clutches etc.