

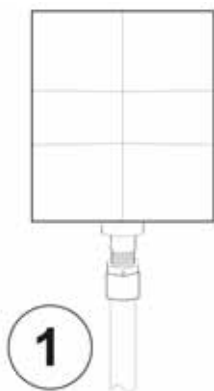
## WSS 500 series – Installation note

### WSS 500 系列 安装说明

#### IMPORTANT:

Do not remove the white protection cap before the WSS is installed in the masthead!

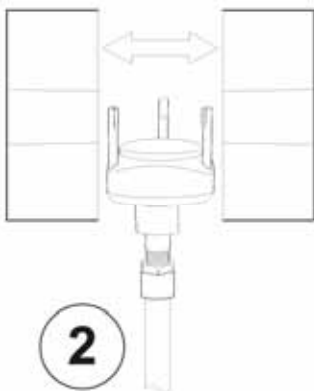
在 WSS 500 系列安装到桅杆顶上之前，请不要移动白色的保护盖！



**1**

Mount the sensor in the mast!  
The arrow on top and bottom of the protection cap must point AHEAD!

将传感器安装在桅杆上！  
保护盖顶部与底部箭头所指示的方向应指向船艏方向



**2**

Remove the tape around the protection cap and remove the protection cap.

拆除保护盖上的胶带后拆开保护盖

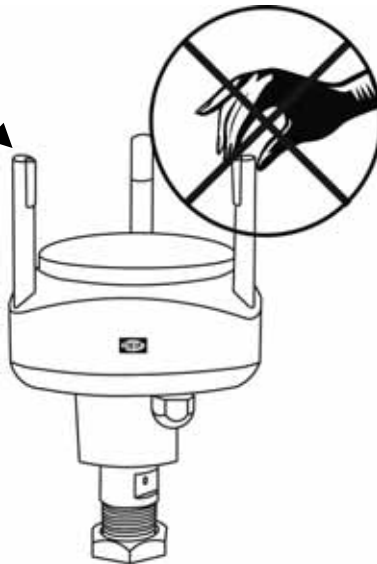
**Attention:**

**注意**



**Do not hit, squeeze or try to remove the three black rubber hoods.**

**禁止敲击、挤压或试图移动这三个黑色橡胶块！**



**ESD Precaution!**

**ESD 预防**



Sufficient care must be taken to protect the terminals against static discharges during installation.

在连接或断开传感器(WSS)电缆线之前，  
请切断接口盒(WSI)的电源。