

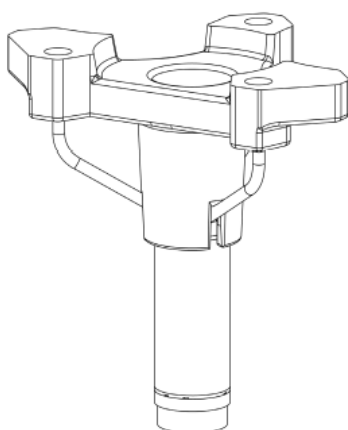
WSS 700/WSS 750 – Installation note

WSS 700/WSS 750 安装说明

IMPORTANT:

To avoid bending or twisting the 3 sensor arms or hitting the sensitive sensor heads, do not remove the protective cap, until you have installed the WSS 700/750 in the mast.

注意：为避免损坏 WSS 上的三个传感器和支架，WSS 700/750 在安装到位之前请不要移除保护盖。



Protective cap
保护盖

ESD Precaution! ESD 静电防护



Sufficient care must be taken to protect the terminals against static discharges during installation.

在安装 WSS 过程中，请采取足够的保护措施保护端子防止静电释放。

Attention:

注意



Do **not** rotate, strike, squeeze, pull, scrape or touch the 3 sensor heads !

禁止转动，敲击、挤压，拖拽，刮擦，触碰三个传感器！

