

6

5

4

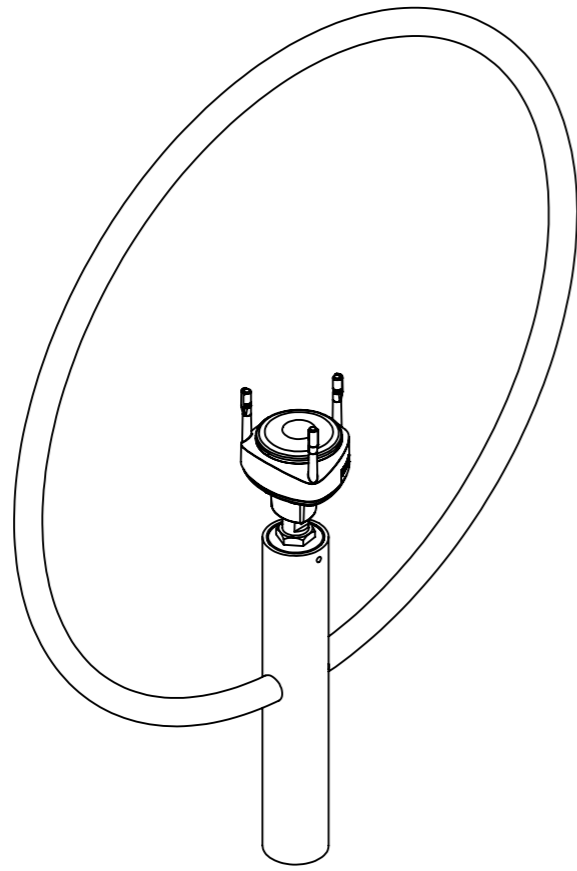
3

2

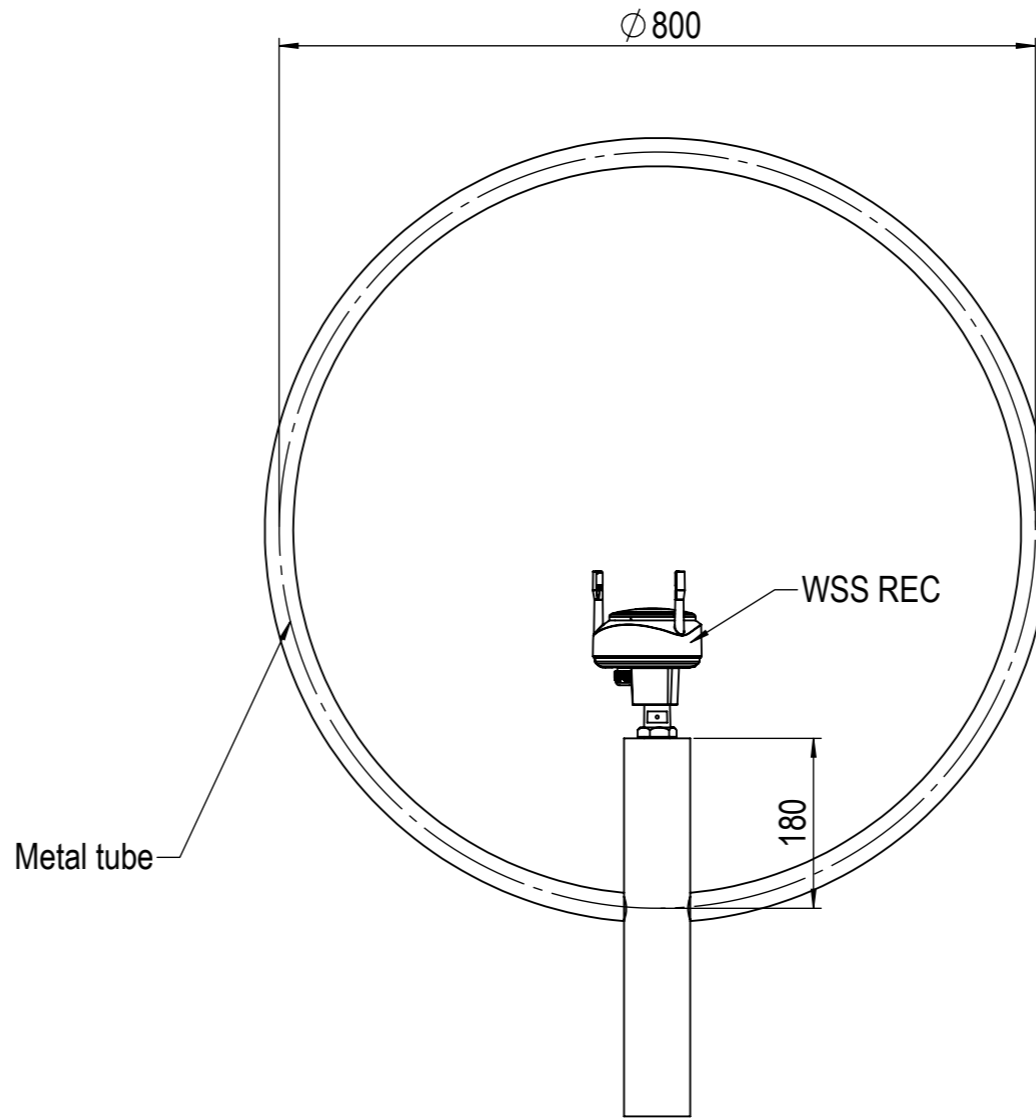
1

Rev.	Qty.	Description	ECO no.	Design	Reviewed	Approved
------	------	-------------	---------	--------	----------	----------

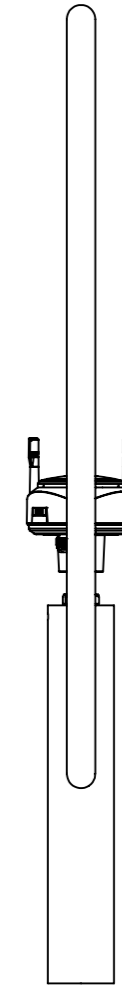
Isometric view



Front View



Side view



NOTE: This information is CONFIDENTIAL and PROPRIETARY to DEIF. It is furnished with understanding that the information will not be copied or disclosed without the written consent of DEIF. These materials are subject to the exemption 5 U.S.C. Section 552 (b) (4) which provides that trade secrets and commercial or financial information shall not be disclosed to third parties.

General tolerance	ISO 2768-m	Design		DEIF
Material	Weight	Supplier code		
Finish		Replace		
		DOCUMENT CREATION DATA YYYY-MM-DD INITIALS Creator 2009-12-11 PP		
FIRST ANGLE PROJECTION		Review		Title
		Approved		EXTERNAL PROTECTION SYSTEM WSS REC PRELIMINARY DRAWING
DIMENSIONS ARE IN MILLIMETERS, UNLESS OTHERWISE SPECIFIED		Archive ID		Size
				A3
				Code
				Rev
				Scale
				1:8
				Sheet 1 of 1

6

5

4

3

2

1