



Main features

Power Boost function

The Power Boost function gives up to 150 % boost in current and will help ensure the start of difficult loads. The function can boost current for up to 10 seconds.

Low voltage detection output

The low voltage detection output monitors the voltage of the output terminal of the power supply. **

** Only 2963500020.03 and 2963500020.04.

Parallel operation

To increase the output current, the power supplies can be connected in parallel operation.

Side-by-side mounting

Installation area can be reduced by the side-by-side mounting.

Coated

All models are coated for better resistance to the environment, protecting against salt damage, high temperatures and humidity.

Redundancy units

Redundancy units for applications where redundancy is needed, can be purchased separate at DEIF.

General description

Power supplies are high quality, compact and have a reliable switch mode. Available for single-phase or three-phase in a wide range of models. All models are designed for easy click mounting on DIN rail and give full power in a wide ambient temperature range.

Marine approvals for DNV-GL and Lloyd's make the power supplies suitable for applications at sea.

Push-In Plus terminals reduce both time and work needed for installation, and require no additional tools when installing. *

* Available only on 2963500020.02, 2963500020.03, or 2963500020.04.

Range of power supplies

The following power supplies and redundancy units are available from DEIF.

Type	Output	Power rating	DEIF item number	Notes
Power supplies	12 V DC, 4.5 A	60 W	2963500020.01	S8VK-G06012
	24 V DC, 5 A	120 W	2963500020.02	S8VK-S12024
	24 V DC, 10 A	240 W	2963500020.03	S8VK-S24024
	24 V DC, 20 A	480 W	2963500020.04	S8VK-S48024
	24 V DC, 20 A	480 W	2963500020.05	S8VK-T48024 (3-phase)
	24 V DC, 40 A	960 W	2963500020.06	S8VK-T96024 (3-phase)
Redundancy units	10 A	120 W	2963500020.07	S8VK-R10
	20 A	240 W	2963500020.08	S8VK-R20

Technical specifications

Input

- 4.5 A: 100 to 240 V AC, 50/60 Hz, 90 to 350 V DC
- 5 A: 85 to 264 V AC, 50/60 Hz, 90 to 350 V DC
- 10 A: 85 to 264 V AC, 50/60 Hz, 90 to 350 V DC
- 20 A: 85 to 264 V AC, 50/60 Hz, 90 to 350 V DC
- 20 A (3ph): 380 to 480 V AC, 50/60 Hz, 450 to 600 V DC
- 40 A (3ph): 380 to 480 V AC, 50/60 Hz

Environment

- Altitude: 0 to 3000 m *
- Operating temperature: -40 °C to +70 °C
- Storage temperature: -40 °C to +85 °C
- Humidity: 95 % RH

* Only 2963500020.02, 2963500020.03, or 2963500020.04

Approvals

- Lloyd's
- DNV-GL *
- UL
- ATEX *
- [External link to certificate database](#) **

* Only 2963500020.02, 2963500020.03, or 2963500020.04

Internal protections

- Overload protection
- Overvoltage protection

External documentation

More information about the power supplies and the redundancy units can be found here:

[S8VK-G models](#) **

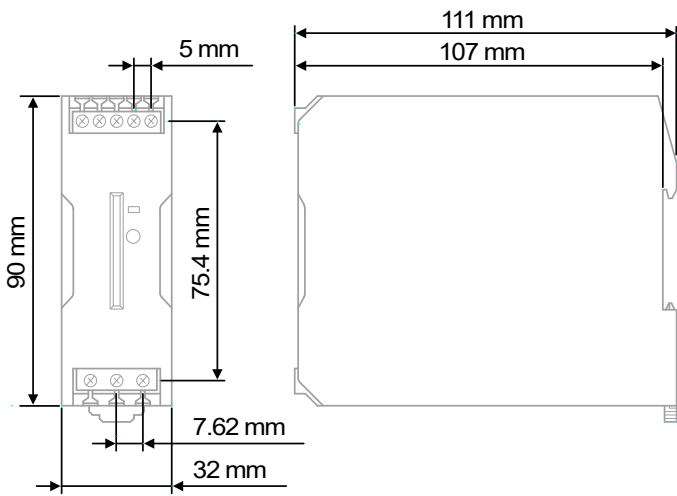
[S8VK-S models](#) **

[S8VK-T models](#) **

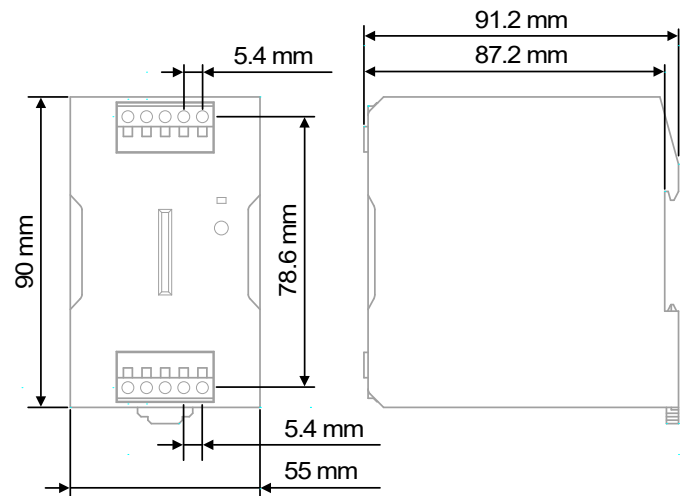
[S8VK-R models](#) **

** Externally linked content is not maintained by DEIF.

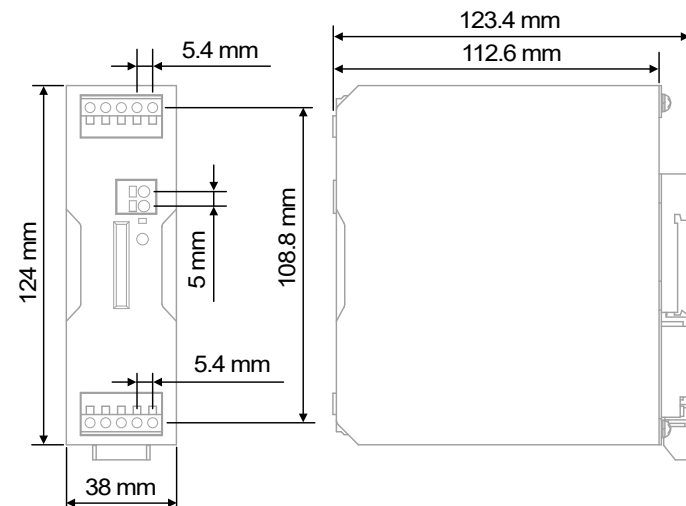
4.5 A (60 W) - 2963500020.01



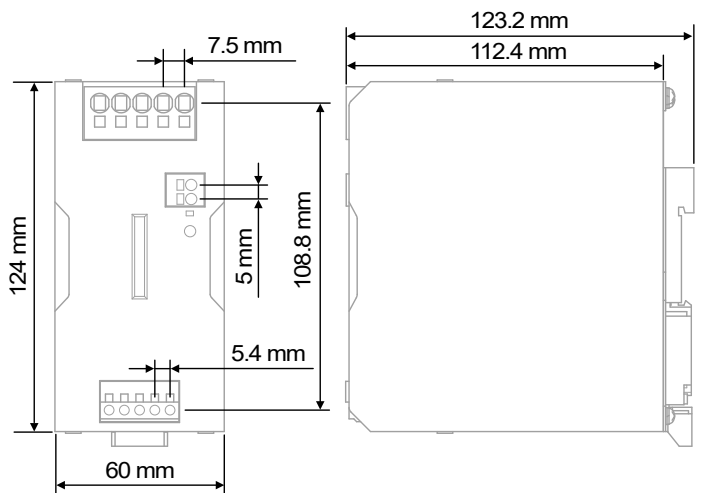
5 A (120 W) - 2963500020.02



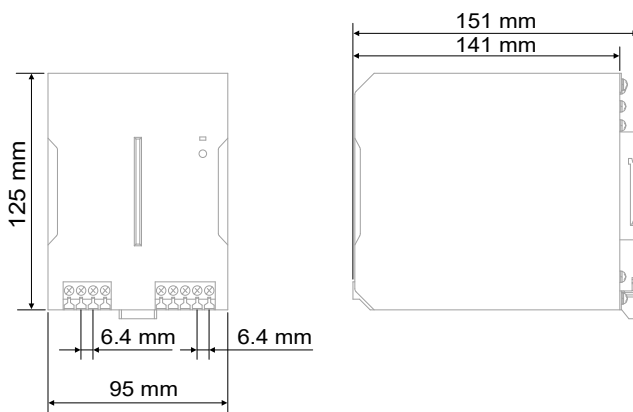
10 A (240 W) - 2963500020.03



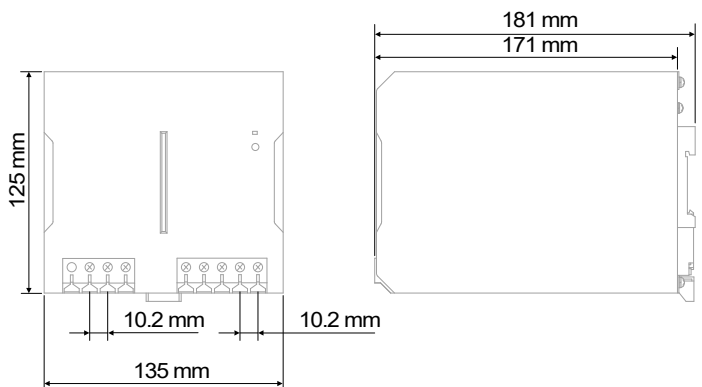
20 A (480 W) - 2963500020.04



20 A 3-phase (480 W) - 2963500020.05



40 A 3-phase (960 W) - 2963500020.06



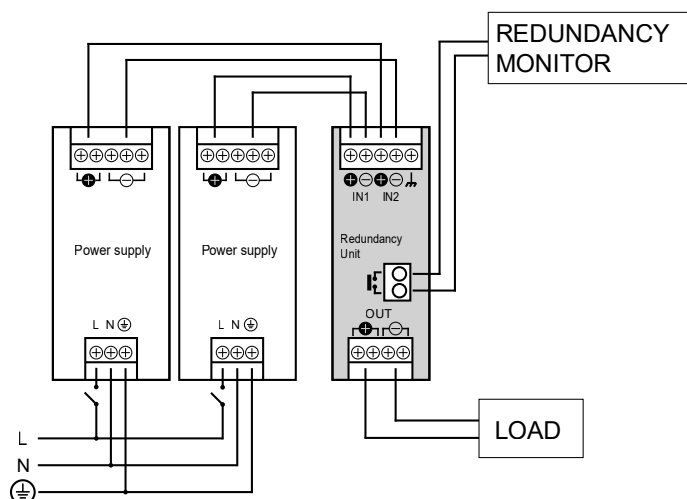
Power supplies

Redundancy units

Redundancy units

For critical applications that require absolute zero downtime, the redundancy unit provides a reliable back up system for your application whether on land or sea.

Example wiring



Features

- LED for redundancy OK
- Signal output for failure detection of power supplies.
- Double the power supplies lifetime by adjusting the power supply voltage to light up the Balance LED.

Specifications

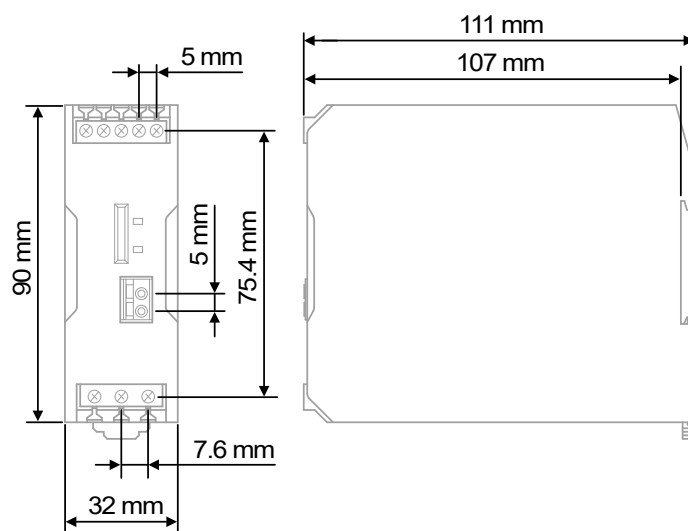
- Input
 - 10 A: 5 to 30 V DC
 - 20 A: 10 to 60 V DC
- Operating temperature: -40 °C to + 70 °C
- Storage temperature: -40 °C to + 85 °C
- Humidity: 95 % RH
- UL approved
- Lloyd's approved

For more information, please contact:

DEIF A/S · Frisenborgvej 33 · DK-7800 Skive · Denmark
 Tel.: +45 9614 9614 · Fax: +45 9614 9615 · info@deif.com · www.deif.com

Dimensions

10 A Redundancy unit - 2963500020.07



20 A Redundancy unit - 2963500020.08

